

**Appendix A**  
**Intersection Turning Movement Counts**  
**Classification Counts**

# MCV Associates, Inc.

4605-C Pinecrest Office Park Dr  
 Alexandria, VA 22312  
 703-914-4850

File Name : North High Street at West Gordon Ave

Site Code : 00000033

Start Date : 1/29/2013

Page No : 1

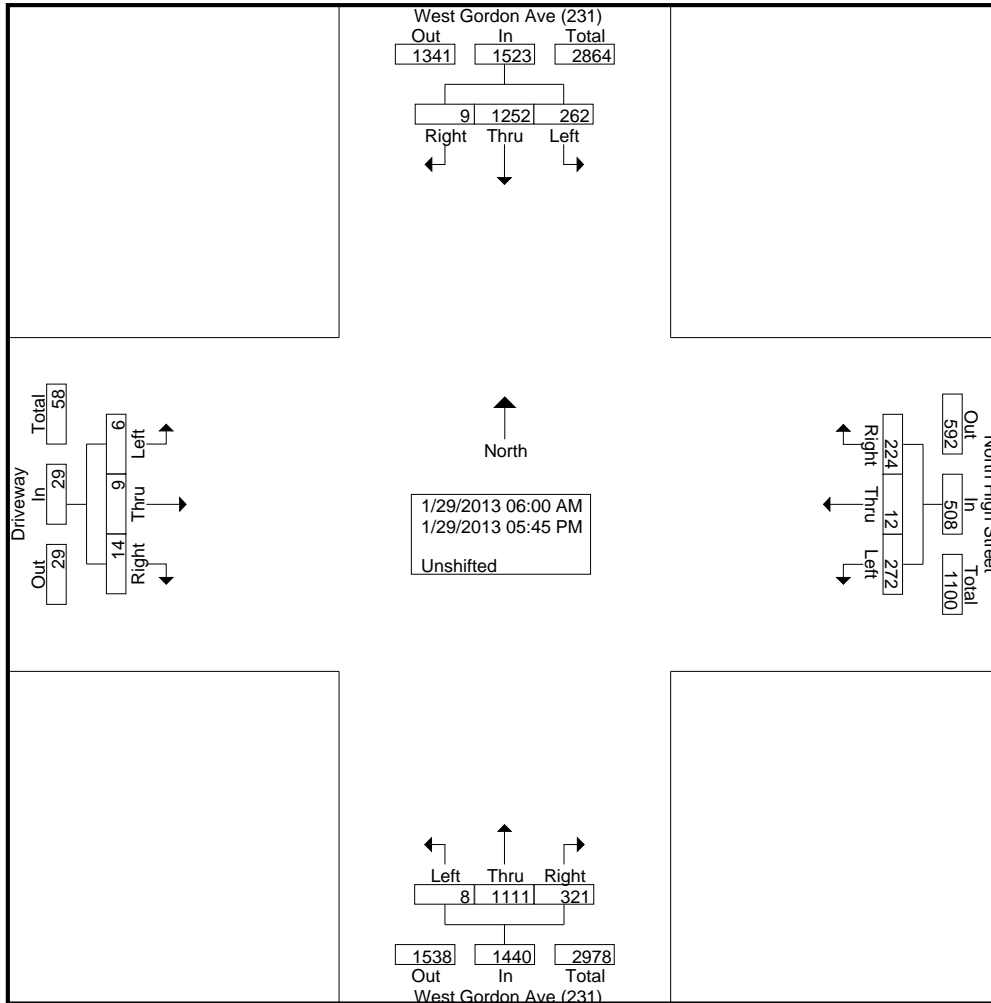
Groups Printed- Unshifted

Start Time	West Gordon Ave (231) From North			North High Street From East			West Gordon Ave (231) From South			Driveway From West			Int. Total
	Left	Thru	Right	Left	Thru	Right	Left	Thru	Right	Left	Thru	Right	
06:00 AM	1	27	0	5	0	5	0	13	3	0	0	0	54
06:15 AM	5	35	0	3	0	6	0	20	3	0	0	0	72
06:30 AM	11	45	0	11	0	10	0	27	2	0	0	0	106
06:45 AM	9	40	0	18	0	6	0	21	1	0	0	0	95
Total	26	147	0	37	0	27	0	81	9	0	0	0	327
07:00 AM	12	64	0	12	0	6	1	30	3	0	0	0	128
07:15 AM	11	71	0	13	0	9	0	42	5	0	0	0	151
07:30 AM	8	67	0	9	0	11	0	49	4	0	0	0	148
07:45 AM	16	70	0	6	0	17	0	65	7	0	0	0	181
Total	47	272	0	40	0	43	1	186	19	0	0	0	608
08:00 AM	11	47	0	6	0	11	0	37	9	0	0	0	121
08:15 AM	13	49	0	9	0	10	1	36	10	0	0	0	128
08:30 AM	9	53	1	8	0	8	0	38	9	0	0	1	127
08:45 AM	13	42	0	7	0	15	2	33	11	0	0	1	124
Total	46	191	1	30	0	44	3	144	39	0	0	2	500
03:00 PM	11	42	0	8	1	6	1	45	16	1	0	0	131
03:15 PM	10	38	1	9	1	8	0	39	14	0	0	0	120
03:30 PM	13	49	1	11	1	15	0	66	13	1	0	0	170
03:45 PM	13	49	3	7	2	11	0	53	11	0	2	1	152
Total	47	178	5	35	5	40	1	203	54	2	2	1	573
04:00 PM	14	54	1	12	1	13	0	63	28	0	1	1	188
04:15 PM	15	47	1	14	3	7	1	49	25	0	2	2	166
04:30 PM	10	38	1	14	3	9	2	65	16	1	1	2	162
04:45 PM	11	68	0	13	0	7	0	57	27	1	1	1	186
Total	50	207	3	53	7	36	3	234	96	2	5	6	702
05:00 PM	13	78	0	17	0	12	0	70	27	1	2	2	222
05:15 PM	10	59	0	19	0	8	0	66	30	0	0	0	192
05:30 PM	9	55	0	22	0	7	0	58	29	1	0	2	183
05:45 PM	14	65	0	19	0	7	0	69	18	0	0	1	193
Total	46	257	0	77	0	34	0	263	104	2	2	5	790
Grand Total	262	1252	9	272	12	224	8	1111	321	6	9	14	3500
Apprch %	17.2	82.2	0.6	53.5	2.4	44.1	0.6	77.2	22.3	20.7	31	48.3	
Total %	7.5	35.8	0.3	7.8	0.3	6.4	0.2	31.7	9.2	0.2	0.3	0.4	

# MCV Associates, Inc.

4605-C Pinecrest Office Park Dr  
 Alexandria, VA 22312  
 703-914-4850

File Name : North High Street at West Gordon Ave  
 Site Code : 00000033  
 Start Date : 1/29/2013  
 Page No : 2

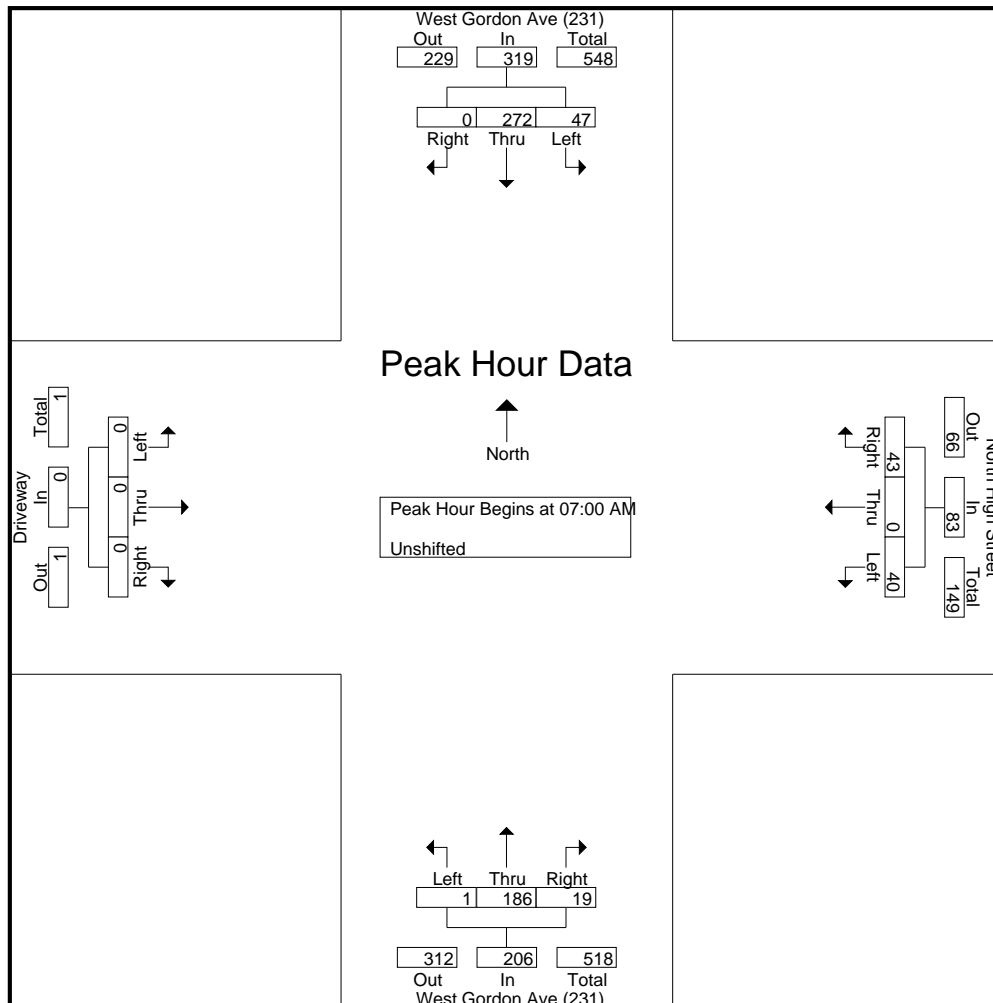


# MCV Associates, Inc.

4605-C Pinecrest Office Park Dr  
 Alexandria, VA 22312  
 703-914-4850

File Name : North High Street at West Gordon Ave  
 Site Code : 00000033  
 Start Date : 1/29/2013  
 Page No : 3

Start Time	West Gordon Ave (231) From North				North High Street From East				West Gordon Ave (231) From South				Driveway From West				Int. Total
	Left	Thru	Right	App. Total	Left	Thru	Right	App. Total	Left	Thru	Right	App. Total	Left	Thru	Right	App. Total	
Peak Hour Analysis From 06:00 AM to 08:45 AM - Peak 1 of 1																	
Peak Hour for Entire Intersection Begins at 07:00 AM																	
07:00 AM	12	64	0	76	12	0	6	18	1	30	3	34	0	0	0	0	128
07:15 AM	11	71	0	82	13	0	9	22	0	42	5	47	0	0	0	0	151
07:30 AM	8	67	0	75	9	0	11	20	0	49	4	53	0	0	0	0	148
07:45 AM	16	70	0	86	6	0	17	23	0	65	7	72	0	0	0	0	181
Total Volume	47	272	0	319	40	0	43	83	1	186	19	206	0	0	0	0	608
% App. Total	14.7	85.3	0		48.2	0	51.8		0.5	90.3	9.2		0	0	0		
PHF	.734	.958	.000	.927	.769	.000	.632	.902	.250	.715	.679	.715	.000	.000	.000	.000	.840

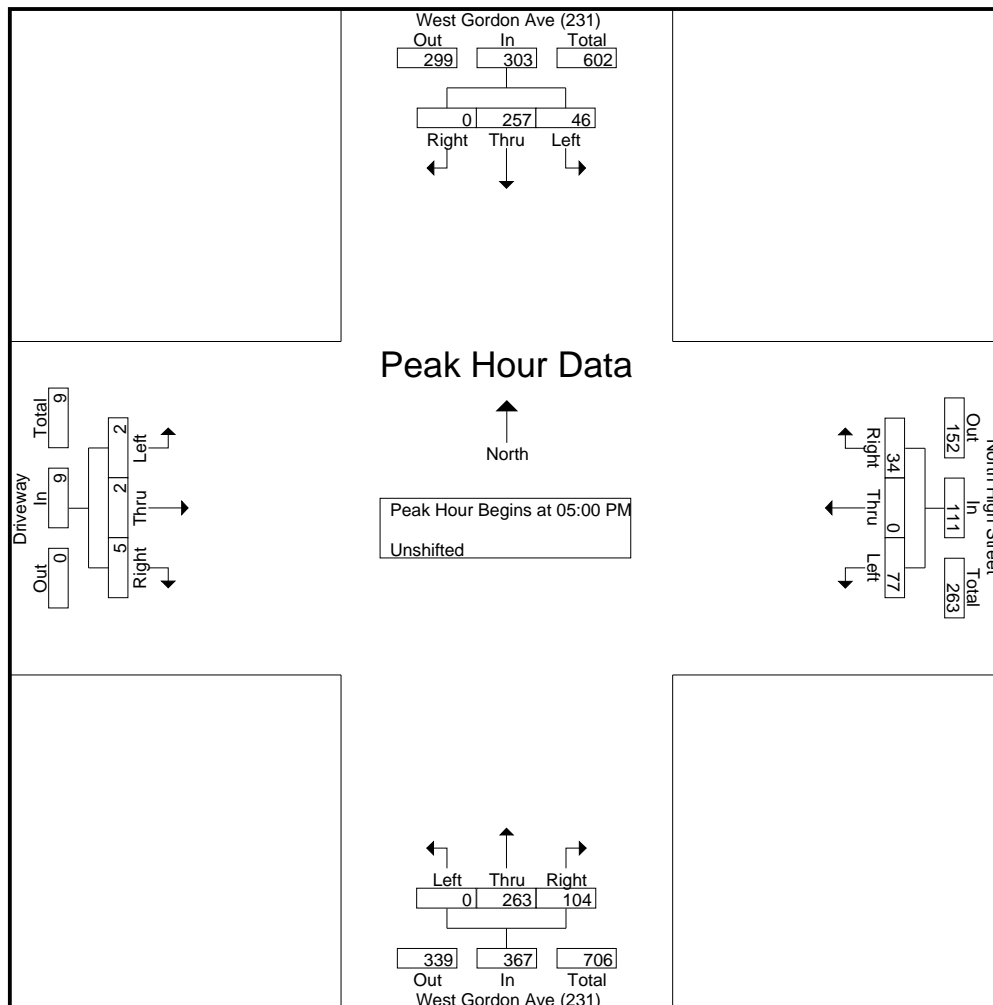


# MCV Associates, Inc.

4605-C Pinecrest Office Park Dr  
 Alexandria, VA 22312  
 703-914-4850

File Name : North High Street at West Gordon Ave  
 Site Code : 00000033  
 Start Date : 1/29/2013  
 Page No : 4

Start Time	West Gordon Ave (231) From North				North High Street From East				West Gordon Ave (231) From South				Driveway From West				Int. Total
	Left	Thru	Right	App. Total	Left	Thru	Right	App. Total	Left	Thru	Right	App. Total	Left	Thru	Right	App. Total	
Peak Hour Analysis From 03:00 PM to 05:45 PM - Peak 1 of 1																	
Peak Hour for Entire Intersection Begins at 05:00 PM																	
05:00 PM	13	78	0	91	17	0	12	29	0	70	27	97	1	2	2	5	222
05:15 PM	10	59	0	69	19	0	8	27	0	66	30	96	0	0	0	0	192
05:30 PM	9	55	0	64	22	0	7	29	0	58	29	87	1	0	2	3	183
05:45 PM	14	65	0	79	19	0	7	26	0	69	18	87	0	0	1	1	193
Total Volume	46	257	0	303	77	0	34	111	0	263	104	367	2	2	5	9	790
% App. Total	15.2	84.8	0		69.4	0	30.6		0	71.7	28.3		22.2	22.2	55.6		
PHF	.821	.824	.000	.832	.875	.000	.708	.957	.000	.939	.867	.946	.500	.250	.625	.450	.890



# MCV Associates, Inc.

4605-C Pinecrest Office Park Dr  
 Alexandria, VA 22312  
 703-914-4850

File Name : South High Street at Martinsburg Ave

Site Code : 00000033

Start Date : 1/30/2013

Page No : 1

Groups Printed- Unshifted - Bank 1

Start Time	Martinsburg Ave (15 and 33) From North			Driveway From East			Martinsburg Ave (15 and 33) From South			South High Street From West			Int. Total
	Left	Thru	Right	Left	Thru	Right	Left	Thru	Right	Left	Thru	Right	
06:00 AM	0	23	0	0	0	0	7	33	0	0	0	5	68
06:15 AM	0	35	1	0	0	0	7	43	0	0	0	3	89
06:30 AM	0	42	1	0	0	0	7	59	0	1	0	10	120
06:45 AM	0	40	3	0	0	0	15	65	1	0	0	7	131
Total	0	140	5	0	0	0	36	200	1	1	0	25	408
07:00 AM	0	46	3	0	0	0	10	66	0	0	0	7	132
07:15 AM	0	61	2	0	0	0	14	62	0	1	0	15	155
07:30 AM	0	48	2	0	1	0	11	84	1	1	0	11	159
07:45 AM	0	47	1	0	0	1	16	74	0	4	0	12	155
Total	0	202	8	0	1	1	51	286	1	6	0	45	601
08:00 AM	0	50	2	0	0	0	12	65	0	1	0	21	151
08:15 AM	0	34	1	0	0	0	24	67	0	2	0	7	135
08:30 AM	0	44	4	0	0	0	15	51	0	1	0	15	130
08:45 AM	0	39	2	0	0	0	15	44	0	2	0	16	118
Total	0	167	9	0	0	0	66	227	0	6	0	59	534
03:00 PM	0	48	6	0	0	1	15	45	1	2	1	23	142
03:15 PM	0	58	1	0	0	0	12	72	0	8	0	17	168
03:30 PM	0	55	4	0	0	0	16	52	0	2	0	20	149
03:45 PM	1	54	4	0	0	2	19	47	1	6	0	19	153
Total	1	215	15	0	0	3	62	216	2	18	1	79	612
04:00 PM	2	75	7	0	1	2	12	55	1	1	0	22	178
04:15 PM	1	67	3	0	0	1	17	38	0	4	0	30	161
04:30 PM	0	57	3	0	1	0	13	69	1	6	1	33	184
04:45 PM	0	79	2	0	0	0	13	58	0	4	0	26	182
Total	3	278	15	0	2	3	55	220	2	15	1	111	705
05:00 PM	1	79	4	0	0	4	16	65	0	5	0	27	201
05:15 PM	2	90	12	0	0	0	22	70	0	3	1	32	232
05:30 PM	1	64	5	0	0	0	21	72	0	2	1	31	197
05:45 PM	0	35	6	0	0	1	19	51	0	7	0	19	138
Total	4	268	27	0	0	5	78	258	0	17	2	109	768
Grand Total	8	1270	79	0	3	12	348	1407	6	63	4	428	3628
Apprch %	0.6	93.6	5.8	0	20	80	19.8	79.9	0.3	12.7	0.8	86.5	
Total %	0.2	35	2.2	0	0.1	0.3	9.6	38.8	0.2	1.7	0.1	11.8	
Unshifted	8	1249	79	0	3	12	311	1357	5	62	4	372	3462
% Unshifted	100	98.3	100	0	100	100	89.4	96.4	83.3	98.4	100	86.9	95.4
Bank 1	0	21	0	0	0	0	37	50	1	1	0	56	166
% Bank 1	0	1.7	0	0	0	0	10.6	3.6	16.7	1.6	0	13.1	4.6

Bank 1 - Stonewall Avenue volumes

# MCV Associates, Inc.

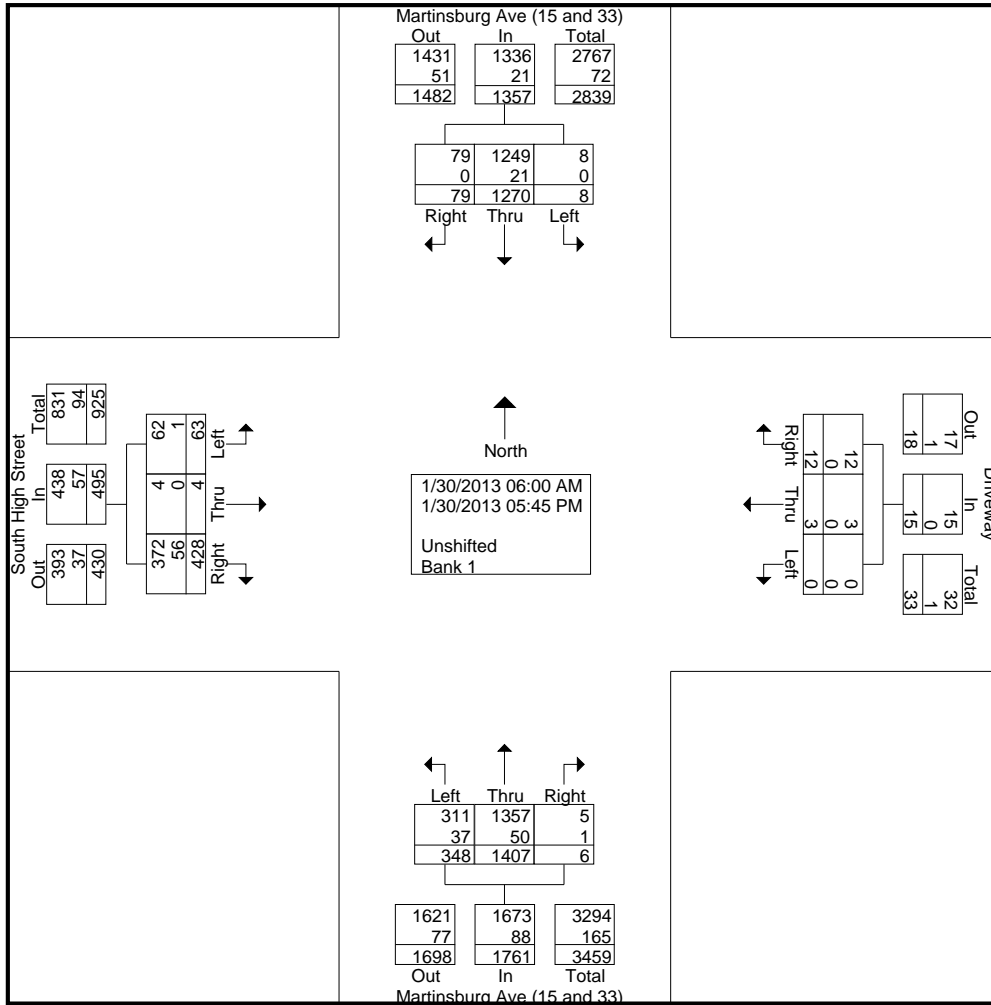
4605-C Pinecrest Office Park Dr  
 Alexandria, VA 22312  
 703-914-4850

File Name : South High Street at Martinsburg Ave

Site Code : 00000033

Start Date : 1/30/2013

Page No : 2

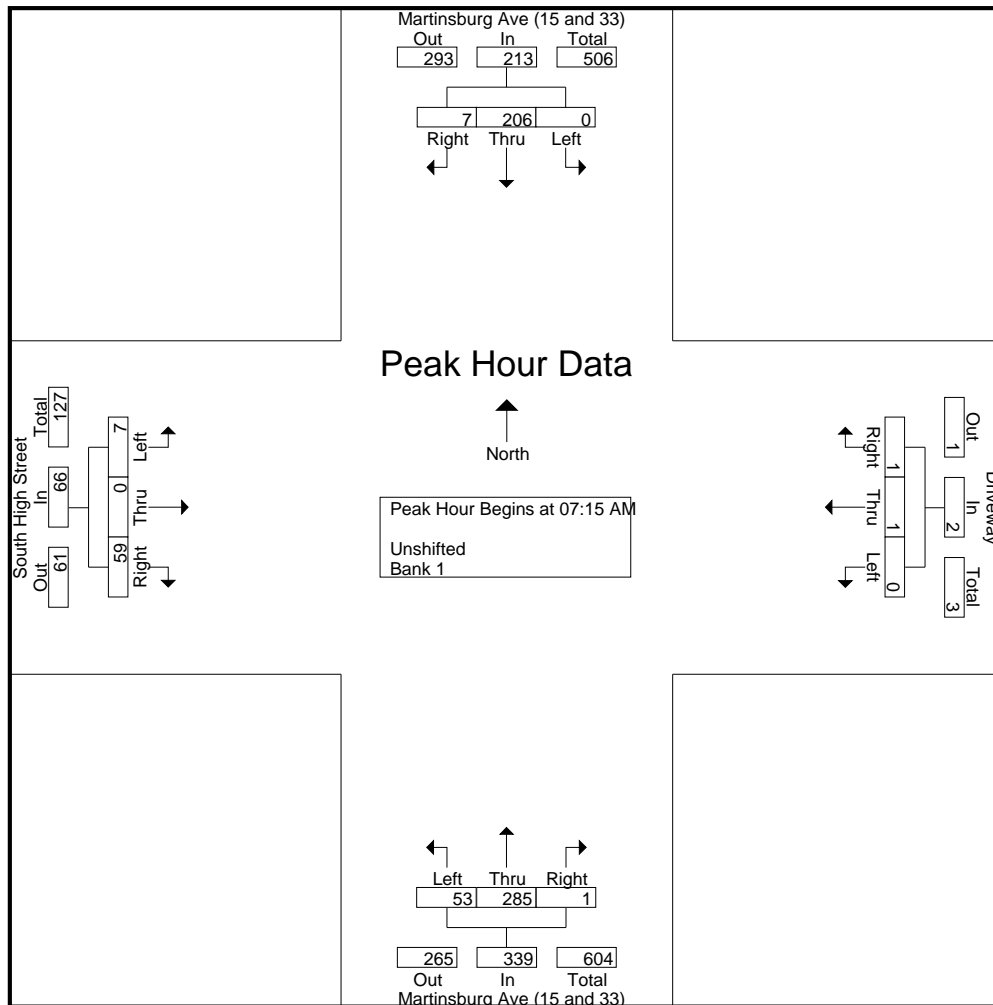


# MCV Associates, Inc.

4605-C Pinecrest Office Park Dr  
 Alexandria, VA 22312  
 703-914-4850

File Name : South High Street at Martinsburg Ave  
 Site Code : 00000033  
 Start Date : 1/30/2013  
 Page No : 3

Start Time	Martinsburg Ave (15 and 33) From North				Driveway From East				Martinsburg Ave (15 and 33) From South				South High Street From West				Int. Total
	Left	Thru	Right	App. Total	Left	Thru	Right	App. Total	Left	Thru	Right	App. Total	Left	Thru	Right	App. Total	
Peak Hour Analysis From 06:00 AM to 08:45 AM - Peak 1 of 1																	
Peak Hour for Entire Intersection Begins at 07:15 AM																	
07:15 AM	0	61	2	63	0	0	0	0	14	62	0	76	1	0	15	16	155
07:30 AM	0	48	2	50	0	1	0	1	11	84	1	96	1	0	11	12	159
07:45 AM	0	47	1	48	0	0	1	1	16	74	0	90	4	0	12	16	155
08:00 AM	0	50	2	52	0	0	0	0	12	65	0	77	1	0	21	22	151
Total Volume	0	206	7	213	0	1	1	2	53	285	1	339	7	0	59	66	620
% App. Total	0	96.7	3.3		0	50	50		15.6	84.1	0.3		10.6	0	89.4		
PHF	.000	.844	.875	.845	.000	.250	.250	.500	.828	.848	.250	.883	.438	.000	.702	.750	.975



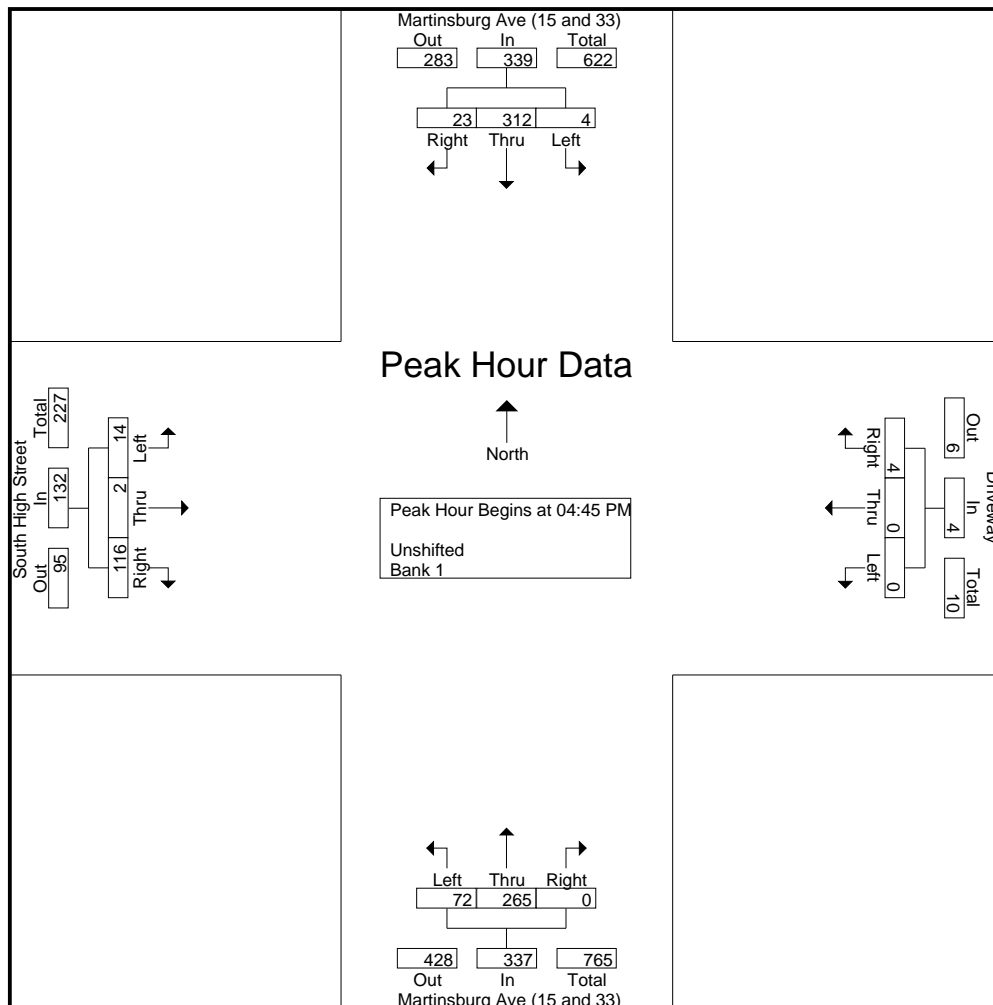


# MCV Associates, Inc.

4605-C Pinecrest Office Park Dr  
 Alexandria, VA 22312  
 703-914-4850

File Name : South High Street at Martinsburg Ave  
 Site Code : 00000033  
 Start Date : 1/30/2013  
 Page No : 4

Start Time	Martinsburg Ave (15 and 33) From North				Driveway From East				Martinsburg Ave (15 and 33) From South				South High Street From West				Int. Total
	Left	Thru	Right	App. Total	Left	Thru	Right	App. Total	Left	Thru	Right	App. Total	Left	Thru	Right	App. Total	
Peak Hour Analysis From 03:00 PM to 05:45 PM - Peak 1 of 1																	
Peak Hour for Entire Intersection Begins at 04:45 PM																	
04:45 PM	0	79	2	81	0	0	0	0	13	58	0	71	4	0	26	30	182
05:00 PM	1	79	4	84	0	0	4	4	16	65	0	81	5	0	27	32	201
05:15 PM	2	90	12	104	0	0	0	0	22	70	0	92	3	1	32	36	232
05:30 PM	1	64	5	70	0	0	0	0	21	72	0	93	2	1	31	34	197
Total Volume	4	312	23	339	0	0	4	4	72	265	0	337	14	2	116	132	812
% App. Total	1.2	92	6.8		0	0	100		21.4	78.6	0		10.6	1.5	87.9		
PHF	.500	.867	.479	.815	.000	.000	.250	.250	.818	.920	.000	.906	.700	.500	.906	.917	.875





# MCV Associates, Inc.

4605-C Pinecrest Office Park Dr  
Alexandria, VA 22312  
703-914-4850

Site Code: 231  
Station ID: 231  
North High Street EB  
Bet Gordon Ave and School Access  
Latitude: 0' 0.000 Undefined

North Bound

Start Time	Bikes	Cars & Trailers	2 Axle Long	Buses	2 Axle 6 Tire	3 Axle Single	4 Axle Single	<5 Axl Double	5 Axle Double	>6 Axl Double	<6 Axl Multi	6 Axle Multi	>6 Axl Multi	Not Classe	Total
12 PM	0	10	7	4	0	1	0	0	2	0	0	0	0	0	24
12:15	0	18	12	1	2	1	0	0	3	0	0	0	0	0	37
12:30	1	15	7	0	1	2	0	1	4	1	0	0	1	0	33
12:45	0	15	4	0	3	1	0	2	3	0	0	0	0	0	28
13:00	1	58	30	5	6	5	0	3	12	1	0	0	1	0	122
13:15	1	11	4	0	6	1	0	0	5	0	0	0	0	0	28
13:30	1	11	6	1	3	2	1	0	2	0	0	0	0	0	27
13:45	0	12	4	1	1	1	0	1	1	0	0	0	0	0	21
14:00	0	10	3	0	1	0	0	0	4	0	0	0	0	0	18
14:15	2	44	17	2	11	4	1	1	12	0	0	0	0	0	94
14:30	0	14	5	2	0	0	0	1	3	0	0	0	0	0	25
14:45	0	12	6	1	2	0	0	0	2	1	0	0	0	0	24
15:00	0	18	2	0	3	0	0	1	2	0	0	0	0	0	26
15:15	0	12	3	0	2	0	0	1	4	0	0	0	0	0	22
15:30	0	56	16	3	7	0	0	3	11	1	0	0	0	0	97
15:45	2	13	5	1	4	1	0	0	3	0	0	0	0	0	29
16:00	0	12	2	0	3	0	0	4	3	0	0	0	0	0	24
16:15	1	15	4	0	1	1	0	1	3	0	0	0	0	0	26
16:30	0	12	8	0	2	0	0	1	3	0	0	0	0	0	26
16:45	3	52	19	1	10	2	0	6	12	0	0	0	0	0	105
17:00	0	24	12	0	3	2	0	0	1	0	0	0	0	0	42
17:15	0	29	8	1	1	0	0	2	1	0	0	0	0	0	42
17:30	1	16	7	0	0	0	0	0	3	0	0	0	0	0	27
17:45	0	22	13	0	3	0	0	1	1	0	0	0	0	0	40
18:00	1	91	40	1	7	2	0	3	6	0	0	0	0	0	151
18:15	0	35	7	0	0	0	0	0	2	0	0	0	0	0	44
18:30	0	28	10	0	3	0	0	0	1	0	0	0	0	0	42
18:45	0	22	10	1	2	0	0	0	3	0	0	0	0	0	38
19:00	1	23	3	3	1	0	0	1	1	0	0	0	0	0	33
19:15	1	108	30	4	6	0	0	1	7	0	0	0	0	0	157
19:30	0	18	4	0	1	0	0	1	0	0	0	0	0	0	24
19:45	1	22	9	0	3	0	0	0	1	0	0	0	0	0	36
20:00	0	20	3	0	0	0	0	0	1	0	0	0	0	0	24
20:15	0	15	5	1	3	0	0	1	0	0	0	0	0	0	25
20:30	1	75	21	1	7	0	0	2	2	0	0	0	0	0	109
20:45	0	5	2	2	1	0	0	0	0	0	0	0	0	0	10
21:00	0	12	1	0	1	0	0	0	2	0	0	0	0	0	16
21:15	0	6	3	0	1	0	0	0	0	0	0	0	0	0	10
21:30	2	12	3	0	1	2	0	0	4	0	0	0	0	0	24
21:45	2	35	9	2	4	2	0	0	6	0	0	0	0	0	60
22:00	0	12	4	1	0	0	0	0	3	0	0	0	0	0	20
22:15	0	9	2	1	1	0	0	0	0	0	0	0	0	0	13
22:30	0	5	1	0	0	1	0	0	0	0	0	0	0	0	7
22:45	0	4	1	0	1	0	0	0	0	0	0	0	0	0	6
23:00	0	30	8	2	2	1	0	0	3	0	0	0	0	0	46
23:15	0	7	1	1	0	0	0	0	1	0	0	0	0	0	10
23:30	1	5	1	0	0	1	0	0	1	0	0	0	0	0	9
23:45	1	8	4	0	0	1	0	0	4	0	0	0	0	0	18
24:00	0	9	0	0	0	0	0	0	1	0	0	0	0	0	10
24:15	2	29	6	1	0	2	0	0	7	0	0	0	0	0	47
24:30	0	5	0	0	0	0	0	0	1	0	0	0	0	0	6
24:45	0	6	1	0	0	0	0	0	2	0	0	0	0	0	9
25:00	0	2	0	0	0	0	0	0	2	0	0	0	0	0	4
25:15	0	1	1	0	0	0	0	0	0	0	0	0	0	0	2
25:30	0	14	2	0	0	0	0	0	5	0	0	0	0	0	21
25:45	0	1	0	0	0	0	0	0	0	0	0	1	0	0	2
26:00	0	4	0	0	0	0	0	0	1	0	0	0	0	0	5
26:15	0	1	0	1	0	0	0	0	3	0	0	0	0	0	5
26:30	0	0	1	1	0	0	0	0	1	0	0	0	0	0	3
26:45	0	6	1	2	0	0	0	0	5	0	0	1	0	0	15
<b>Total</b>	<b>13</b>	<b>598</b>	<b>199</b>	<b>24</b>	<b>60</b>	<b>18</b>	<b>1</b>	<b>19</b>	<b>88</b>	<b>2</b>	<b>0</b>	<b>1</b>	<b>1</b>	<b>0</b>	<b>1024</b>
<b>Percent</b>	<b>1.3%</b>	<b>58.4%</b>	<b>19.4%</b>	<b>2.3%</b>	<b>5.9%</b>	<b>1.8%</b>	<b>0.1%</b>	<b>1.9%</b>	<b>8.6%</b>	<b>0.2%</b>	<b>0.0%</b>	<b>0.1%</b>	<b>0.1%</b>	<b>0.0%</b>	

# MCV Associates, Inc.

4605-C Pinecrest Office Park Dr  
Alexandria, VA 22312  
703-914-4850

Site Code: 231  
Station ID: 231  
North High Street EB  
Bet Gordon Ave and School Access  
Latitude: 0' 0.000 Undefined

North Bound

Start Time	Bikes	Cars & Trailers	2 Axle Long	Buses	2 Axle 6 Tire	3 Axle Single	4 Axle Single	<5 Axl Double	5 Axle Double	>6 Axl Double	<6 Axl Multi	6 Axle Multi	>6 Axl Multi	Not Classe	Total
01/30/13	0	1	1	0	0	0	0	0	1	0	0	0	0	0	3
00:15	0	0	1	0	0	0	0	0	1	0	0	0	0	0	2
00:30	0	3	1	0	0	0	0	1	1	0	0	0	0	0	6
00:45	0	0	0	0	0	0	0	0	1	0	0	0	0	0	1
01:00	0	4	3	0	0	0	0	1	4	0	0	0	0	0	12
01:15	0	1	0	0	0	0	0	0	2	0	0	0	0	0	3
01:30	0	0	0	0	0	0	0	0	0	0	0	0	0	0	0
01:45	0	0	0	0	0	0	0	0	1	0	0	0	0	0	1
02:00	0	1	0	0	0	0	0	0	2	0	0	0	0	0	3
02:15	0	2	0	0	0	0	0	0	5	0	0	0	0	0	7
02:30	0	0	0	0	0	0	0	0	0	0	0	0	0	0	0
02:45	0	0	0	0	0	0	0	0	0	0	0	0	0	0	0
03:00	0	0	0	1	0	0	0	0	2	0	0	0	0	0	2
03:15	0	0	0	0	0	0	0	0	2	1	0	0	0	0	4
03:30	0	0	0	0	0	0	1	0	2	0	0	0	0	0	2
03:45	1	0	0	0	0	1	0	0	2	0	0	0	0	0	4
04:00	1	0	0	1	0	1	1	0	7	1	0	0	0	0	12
04:15	0	0	0	0	0	0	0	0	1	1	0	0	0	0	2
04:30	0	0	0	0	0	0	0	0	3	0	0	0	0	0	4
04:45	0	0	0	0	1	1	0	0	0	0	0	0	0	0	2
05:00	0	0	0	1	1	1	0	0	7	4	0	0	0	0	14
05:15	0	1	2	1	0	1	0	1	2	0	0	0	0	0	8
05:30	0	0	0	0	0	0	0	0	0	0	0	0	0	0	0
05:45	0	1	1	0	1	0	0	0	4	0	0	0	0	0	7
06:00	0	3	0	0	0	0	0	0	2	0	0	0	0	0	5
06:15	0	5	3	1	1	1	0	1	8	0	0	0	0	0	20
06:30	0	0	2	0	1	0	0	0	2	0	0	0	0	0	5
06:45	1	3	1	1	0	1	0	0	1	0	0	0	0	0	8
07:00	1	3	3	1	0	1	0	0	3	0	0	0	0	0	12
07:15	1	5	1	0	1	1	0	0	1	0	0	0	0	0	10
07:30	3	11	7	2	2	3	0	0	7	0	0	0	0	0	35
07:45	0	11	3	1	0	0	0	0	0	0	0	0	0	0	15
08:00	0	10	3	1	2	1	0	0	4	0	0	0	0	0	21
08:15	1	7	3	0	2	1	0	0	1	0	0	0	0	0	15
08:30	0	11	3	2	3	1	1	0	2	0	0	0	0	0	23
08:45	1	39	12	4	7	3	1	0	7	0	0	0	0	0	74
09:00	0	8	4	4	2	0	0	0	2	1	0	0	0	0	21
09:15	0	14	6	1	2	0	0	0	3	0	0	0	0	0	26
09:30	0	7	2	2	3	2	0	0	2	0	0	0	0	0	18
09:45	2	6	5	2	3	3	0	1	3	0	0	0	0	0	25
10:00	2	35	17	9	10	5	0	1	10	1	0	0	0	0	90
10:15	0	11	8	1	0	1	0	1	3	0	0	0	0	0	25
10:30	0	5	4	0	1	0	1	0	2	0	0	0	0	0	13
10:45	1	9	1	1	4	1	0	2	4	0	0	0	0	0	23
11:00	0	6	6	3	1	0	0	0	2	0	0	0	0	0	18
11:15	1	31	19	5	6	2	1	3	11	0	0	0	0	0	79
11:30	1	5	2	1	1	2	0	0	2	0	0	0	0	0	14
11:45	0	13	5	3	2	0	0	0	0	1	0	0	0	0	24
Total	9	220	88	35	40	18	3	7	99	7	0	0	0	0	526
Percent	1.7%	41.8%	16.7%	6.7%	7.6%	3.4%	0.6%	1.3%	18.8%	1.3%	0.0%	0.0%	0.0%	0.0%	

# MCV Associates, Inc.

4605-C Pinecrest Office Park Dr  
 Alexandria, VA 22312  
 703-914-4850

Site Code: 231  
 Station ID: 231  
 North High Street EB  
 Bet Gordon Ave and School Access  
 Latitude: 0' 0.000 Undefined

North Bound

Start Time	Bikes	Cars & Trailers	2 Axle Long	Buses	2 Axle 6 Tire	3 Axle Single	4 Axle Single	<5 Axl Double	5 Axle Double	>6 Axl Double	<6 Axl Multi	6 Axle Multi	>6 Axl Multi	Not Classe	Total
12 PM	0	0	0	0	0	0	0	0	0	0	0	0	0	0	0
12:15	0	0	0	0	0	0	0	0	0	0	0	0	0	0	0
12:30	0	0	0	0	0	0	0	0	0	0	0	0	0	0	0
12:45	0	0	0	0	0	0	0	0	0	0	0	0	0	0	0
13:00	0	0	0	0	0	0	0	0	0	0	0	0	0	0	0
13:15	0	0	0	0	0	0	0	0	0	0	0	0	0	0	0
13:30	0	0	0	0	0	0	0	0	0	0	0	0	0	0	0
13:45	0	0	0	0	0	0	0	0	0	0	0	0	0	0	0
14:00	0	0	0	0	0	0	0	0	0	0	0	0	0	0	0
14:15	0	0	0	0	0	0	0	0	0	0	0	0	0	0	0
14:30	0	0	0	0	0	0	0	0	0	0	0	0	0	0	0
14:45	0	0	0	0	0	0	0	0	0	0	0	0	0	0	0
15:00	0	0	0	0	0	0	0	0	0	0	0	0	0	0	0
15:15	0	0	0	0	0	0	0	0	0	0	0	0	0	0	0
15:30	0	0	0	0	0	0	0	0	0	0	0	0	0	0	0
15:45	0	0	0	0	0	0	0	0	0	0	0	0	0	0	0
16:00	0	0	0	0	0	0	0	0	0	0	0	0	0	0	0
16:15	0	0	0	0	0	0	0	0	0	0	0	0	0	0	0
16:30	0	0	0	0	0	0	0	0	0	0	0	0	0	0	0
16:45	0	0	0	0	0	0	0	0	0	0	0	0	0	0	0
17:00	0	0	0	0	0	0	0	0	0	0	0	0	0	0	0
17:15	0	0	0	0	0	0	0	0	0	0	0	0	0	0	0
17:30	0	0	0	0	0	0	0	0	0	0	0	0	0	0	0
17:45	0	0	0	0	0	0	0	0	0	0	0	0	0	0	0
18:00	0	0	0	0	0	0	0	0	0	0	0	0	0	0	0
18:15	0	0	0	0	0	0	0	0	0	0	0	0	0	0	0
18:30	0	0	0	0	0	0	0	0	0	0	0	0	0	0	0
18:45	0	0	0	0	0	0	0	0	0	0	0	0	0	0	0
19:00	0	0	0	0	0	0	0	0	0	0	0	0	0	0	0
19:15	0	0	0	0	0	0	0	0	0	0	0	0	0	0	0
19:30	0	0	0	0	0	0	0	0	0	0	0	0	0	0	0
19:45	0	0	0	0	0	0	0	0	0	0	0	0	0	0	0
20:00	0	0	0	0	0	0	0	0	0	0	0	0	0	0	0
20:15	0	0	0	0	0	0	0	0	0	0	0	0	0	0	0
20:30	0	0	0	0	0	0	0	0	0	0	0	0	0	0	0
20:45	0	0	0	0	0	0	0	0	0	0	0	0	0	0	0
21:00	0	0	0	0	0	0	0	0	0	0	0	0	0	0	0
21:15	0	0	0	0	0	0	0	0	0	0	0	0	0	0	0
21:30	0	0	0	0	0	0	0	0	0	0	0	0	0	0	0
21:45	0	0	0	0	0	0	0	0	0	0	0	0	0	0	0
22:00	0	0	0	0	0	0	0	0	0	0	0	0	0	0	0
22:15	0	0	0	0	0	0	0	0	0	0	0	0	0	0	0
22:30	0	0	0	0	0	0	0	0	0	0	0	0	0	0	0
22:45	0	0	0	0	0	0	0	0	0	0	0	0	0	0	0
23:00	0	0	0	0	0	0	0	0	0	0	0	0	0	0	0
23:15	0	0	0	0	0	0	0	0	0	0	0	0	0	0	0
23:30	0	0	0	0	0	0	0	0	0	0	0	0	0	0	0
23:45	0	0	0	0	0	0	0	0	0	0	0	0	0	0	0
Total	0	0	0	0	0	0	0	0	0	0	0	0	0	0	0
Percent	0.0%	0.0%	0.0%	0.0%	0.0%	0.0%	0.0%	0.0%	0.0%	0.0%	0.0%	0.0%	0.0%	0.0%	0.0%
Grand Total	22	818	287	59	100	36	4	26	187	9	0	1	1	0	1550
Percent	1.4%	52.8%	18.5%	3.8%	6.5%	2.3%	0.3%	1.7%	12.1%	0.6%	0.0%	0.1%	0.1%	0.0%	









# MCV Associates, Inc.

4605-C Pinecrest Office Park Dr  
Alexandria, VA 22312  
703-914-4850

Site Code: 231  
Station ID: 231  
North High Street EB  
Between Gordon Ave and School Access.  
Latitude: 0' 0.000 Undefined

**East Bound**

Start Time	15	20	25	30	35	40	45	50	55	60	65	70	75	999	Total
12 PM	0	0	0	0	0	0	0	0	0	0	0	0	0	0	0
12:15	0	0	0	0	0	0	0	0	0	0	0	0	0	0	0
12:30	0	0	0	0	0	0	0	0	0	0	0	0	0	0	0
12:45	0	0	0	0	0	0	0	0	0	0	0	0	0	0	0
13:00	0	0	0	0	0	0	0	0	0	0	0	0	0	0	0
13:15	0	0	0	0	0	0	0	0	0	0	0	0	0	0	0
13:30	0	0	0	0	0	0	0	0	0	0	0	0	0	0	0
13:45	0	0	0	0	0	0	0	0	0	0	0	0	0	0	0
14:00	0	0	0	0	0	0	0	0	0	0	0	0	0	0	0
14:15	0	0	0	0	0	0	0	0	0	0	0	0	0	0	0
14:30	0	0	0	0	0	0	0	0	0	0	0	0	0	0	0
14:45	0	0	0	0	0	0	0	0	0	0	0	0	0	0	0
15:00	0	0	0	0	0	0	0	0	0	0	0	0	0	0	0
15:15	0	0	0	0	0	0	0	0	0	0	0	0	0	0	0
15:30	0	0	0	0	0	0	0	0	0	0	0	0	0	0	0
15:45	0	0	0	0	0	0	0	0	0	0	0	0	0	0	0
16:00	0	0	0	0	0	0	0	0	0	0	0	0	0	0	0
16:15	0	0	0	0	0	0	0	0	0	0	0	0	0	0	0
16:30	0	0	0	0	0	0	0	0	0	0	0	0	0	0	0
16:45	0	0	0	0	0	0	0	0	0	0	0	0	0	0	0
17:00	0	0	0	0	0	0	0	0	0	0	0	0	0	0	0
17:15	0	0	0	0	0	0	0	0	0	0	0	0	0	0	0
17:30	0	0	0	0	0	0	0	0	0	0	0	0	0	0	0
17:45	0	0	0	0	0	0	0	0	0	0	0	0	0	0	0
18:00	0	0	0	0	0	0	0	0	0	0	0	0	0	0	0
18:15	0	0	0	0	0	0	0	0	0	0	0	0	0	0	0
18:30	0	0	0	0	0	0	0	0	0	0	0	0	0	0	0
18:45	0	0	0	0	0	0	0	0	0	0	0	0	0	0	0
19:00	0	0	0	0	0	0	0	0	0	0	0	0	0	0	0
19:15	0	0	0	0	0	0	0	0	0	0	0	0	0	0	0
19:30	0	0	0	0	0	0	0	0	0	0	0	0	0	0	0
19:45	0	0	0	0	0	0	0	0	0	0	0	0	0	0	0
20:00	0	0	0	0	0	0	0	0	0	0	0	0	0	0	0
20:15	0	0	0	0	0	0	0	0	0	0	0	0	0	0	0
20:30	0	0	0	0	0	0	0	0	0	0	0	0	0	0	0
20:45	0	0	0	0	0	0	0	0	0	0	0	0	0	0	0
21:00	0	0	0	0	0	0	0	0	0	0	0	0	0	0	0
21:15	0	0	0	0	0	0	0	0	0	0	0	0	0	0	0
21:30	0	0	0	0	0	0	0	0	0	0	0	0	0	0	0
21:45	0	0	0	0	0	0	0	0	0	0	0	0	0	0	0
22:00	0	0	0	0	0	0	0	0	0	0	0	0	0	0	0
22:15	0	0	0	0	0	0	0	0	0	0	0	0	0	0	0
22:30	0	0	0	0	0	0	0	0	0	0	0	0	0	0	0
22:45	0	0	0	0	0	0	0	0	0	0	0	0	0	0	0
23:00	0	0	0	0	0	0	0	0	0	0	0	0	0	0	0
23:15	0	0	0	0	0	0	0	0	0	0	0	0	0	0	0
23:30	0	0	0	0	0	0	0	0	0	0	0	0	0	0	0
23:45	0	0	0	0	0	0	0	0	0	0	0	0	0	0	0
Total	0	0	0	0	0	0	0	0	0	0	0	0	0	0	0
Grand Total	33	241	668	493	108	6	1	0	0	0	0	0	0	0	1550

15th Percentile : 16 MPH  
50th Percentile : 23 MPH  
85th Percentile : 28 MPH

	95th Percentile :	31 MPH
Stats	Mean Speed(Average) :	23 MPH
	10 MPH Pace Speed :	20-29 MPH
	Number in Pace :	985
	Percent in Pace :	63.5%
	Number of Vehicles > 55 MPH :	0
	Percent of Vehicles > 55 MPH :	0.0%



# MCV Associates, Inc.

4605-C Pinecrest Office Park Dr  
 Alexandria, VA 22312  
 703-914-4850

Site Code: 231  
 Station ID: 231  
 North High Street WB  
 Between Gordon Ave and School access  
 Latitude: 0' 0.000 Undefined

West Bound

Start Time	Bikes	Cars & Trailers	2 Axle Long	Buses	2 Axle 6 Tire	3 Axle Single	4 Axle Single	<5 Axl Double	5 Axle Double	>6 Axl Double	<6 Axl Multi	6 Axle Multi	>6 Axl Multi	Not Classe	Total
12 PM	0	15	4	0	1	1	1	0	3	0	0	0	0	0	25
12:15	0	17	2	1	1	1	0	0	4	0	0	0	0	0	26
12:30	1	18	5	1	1	2	0	2	4	0	0	0	0	0	34
12:45	2	15	3	0	2	0	0	0	3	0	0	0	0	0	25
13:00	3	65	14	2	5	4	1	2	14	0	0	0	0	0	110
13:15	0	19	4	0	0	0	0	0	2	1	0	0	0	0	26
13:30	2	18	2	0	1	0	0	1	2	0	0	0	1	0	27
13:45	0	6	5	0	1	0	0	1	3	0	0	0	0	0	16
14:00	0	12	1	2	0	0	0	0	3	0	0	0	0	0	18
14:15	2	55	12	2	2	0	0	2	10	1	0	0	1	0	87
14:30	0	17	4	0	2	3	0	4	4	0	0	0	0	0	34
14:45	0	21	2	1	0	0	0	2	5	0	0	0	0	0	31
15:00	2	15	5	2	2	3	1	0	3	0	0	0	0	0	33
15:15	1	11	2	0	0	3	0	0	4	0	0	0	0	0	21
15:30	3	64	13	3	4	9	1	6	16	0	0	0	0	0	119
15:45	1	8	1	0	2	1	0	0	3	0	0	0	0	0	16
16:00	1	11	2	0	2	1	0	1	2	0	0	0	0	0	20
16:15	0	15	4	2	2	1	0	0	2	0	0	0	0	0	26
16:30	0	14	3	0	2	0	0	0	1	0	0	0	0	0	20
16:45	2	48	10	2	8	3	0	1	8	0	0	0	0	0	82
17:00	2	17	6	0	1	2	0	0	3	0	0	0	0	0	31
17:15	0	15	6	0	0	0	0	0	3	0	0	0	0	0	24
17:30	0	13	5	0	0	0	0	1	3	0	0	0	0	0	22
17:45	0	12	7	0	2	0	0	0	1	0	0	0	0	0	22
18:00	2	57	24	0	3	2	0	1	10	0	0	0	0	0	99
18:15	0	24	8	0	0	1	0	1	2	0	0	0	0	0	36
18:30	0	17	6	0	0	0	0	0	2	0	0	0	0	0	25
18:45	0	23	4	2	1	0	0	0	1	0	0	0	0	0	31
19:00	0	19	2	1	2	0	0	0	0	0	0	0	0	0	24
19:15	0	83	20	3	3	1	0	1	5	0	0	0	0	0	116
19:30	1	17	3	0	0	1	0	0	0	0	0	0	0	0	22
19:45	2	18	3	0	2	2	0	0	2	0	0	0	0	0	29
20:00	0	23	4	0	0	0	0	1	3	0	0	0	0	0	31
20:15	0	8	1	0	1	0	0	0	2	0	0	0	0	0	12
20:30	3	66	11	0	3	3	0	1	7	0	0	0	0	0	94
20:45	0	11	1	0	0	0	0	0	1	0	0	0	0	0	13
21:00	0	9	4	0	0	0	0	0	1	0	0	0	0	0	14
21:15	0	11	3	0	0	0	0	0	0	0	0	0	0	0	14
21:30	1	10	2	0	0	1	0	0	4	0	0	0	0	0	18
21:45	1	41	10	0	0	1	0	0	6	0	0	0	0	0	59
22:00	0	7	2	0	0	0	0	0	0	0	0	0	0	0	9
22:15	1	10	2	0	0	1	0	0	2	0	0	0	0	0	16
22:30	1	5	0	1	0	1	0	0	0	0	0	0	0	0	8
22:45	0	4	0	0	0	0	0	0	4	0	0	0	0	0	8
23:00	2	26	4	1	0	2	0	0	6	0	0	0	0	0	41
23:15	0	2	1	1	0	0	0	0	0	0	0	0	0	0	4
23:30	1	4	0	2	0	0	0	0	1	0	0	0	0	0	8
23:45	1	6	0	0	0	1	0	0	0	0	0	0	0	0	8
24:00	0	0	0	0	0	0	0	0	1	0	0	0	0	0	1
24:15	2	12	1	3	0	1	0	0	2	0	0	0	0	0	21
24:30	1	2	3	0	0	1	0	0	1	0	0	0	0	0	8
24:45	0	1	0	0	0	0	0	0	2	1	0	0	0	0	4
25:00	0	1	0	0	0	0	0	0	0	0	0	0	0	0	1
25:15	0	3	0	0	0	0	0	0	0	0	0	0	0	0	3
25:30	1	7	3	0	0	1	0	0	3	1	0	0	0	0	16
25:45	0	2	0	0	0	0	0	0	0	0	0	0	0	0	2
26:00	0	1	0	0	0	0	0	1	1	0	0	0	0	0	3
26:15	1	1	1	1	0	1	0	0	0	0	0	0	0	0	5
26:30	0	2	0	0	0	0	0	0	1	0	0	0	0	0	3
26:45	1	6	1	1	0	1	0	1	2	0	0	0	0	0	13
<b>Total</b>	<b>22</b>	<b>530</b>	<b>123</b>	<b>17</b>	<b>28</b>	<b>28</b>	<b>2</b>	<b>15</b>	<b>89</b>	<b>2</b>	<b>0</b>	<b>0</b>	<b>1</b>	<b>0</b>	<b>857</b>
<b>Percent</b>	<b>2.6%</b>	<b>61.8%</b>	<b>14.4%</b>	<b>2.0%</b>	<b>3.3%</b>	<b>3.3%</b>	<b>0.2%</b>	<b>1.8%</b>	<b>10.4%</b>	<b>0.2%</b>	<b>0.0%</b>	<b>0.0%</b>	<b>0.1%</b>	<b>0.0%</b>	

# MCV Associates, Inc.

4605-C Pinecrest Office Park Dr  
Alexandria, VA 22312  
703-914-4850

Site Code: 231  
Station ID: 231  
North High Street WB  
Between Gordon Ave and School access  
Latitude: 0' 0.000 Undefined

West Bound

Start Time	Bikes	Cars & Trailers	2 Axle Long	Buses	2 Axle 6 Tire	3 Axle Single	4 Axle Single	<5 Axl Double	5 Axle Double	>6 Axl Double	<6 Axl Multi	6 Axle Multi	>6 Axl Multi	Not Classe	Total
01/30/13	0	0	0	0	0	0	0	0	3	0	0	0	0	0	3
00:15	0	1	0	0	0	0	0	0	0	0	0	0	0	0	1
00:30	1	0	0	0	0	1	0	0	0	0	0	0	0	0	2
00:45	0	0	0	0	0	0	0	0	1	0	0	0	0	0	1
01:00	1	1	0	0	0	1	0	0	4	0	0	0	0	0	7
01:15	0	0	0	0	0	0	0	0	0	0	0	0	0	0	0
01:30	0	0	0	0	0	0	0	0	1	0	0	0	0	0	1
01:45	0	0	0	0	0	0	0	0	1	0	0	0	0	0	1
02:00	0	0	0	0	0	0	0	0	3	0	0	0	0	0	3
02:15	0	1	0	0	0	0	0	0	0	0	0	0	0	0	1
02:30	0	0	0	0	0	0	0	0	1	0	0	0	0	0	1
02:45	0	1	0	1	0	0	0	0	1	0	0	0	0	0	3
03:00	0	2	0	1	0	0	0	0	3	0	0	0	0	0	6
03:15	0	1	0	0	0	0	0	0	2	0	0	0	0	0	3
03:30	0	0	0	0	0	0	0	0	0	0	0	0	0	0	0
03:45	0	1	0	0	0	0	0	0	1	0	0	0	0	0	2
04:00	0	3	0	0	0	0	0	0	5	0	0	0	0	0	8
04:15	0	0	0	0	0	0	0	0	1	0	0	0	0	0	1
04:30	0	0	1	0	0	0	0	0	1	0	0	0	0	0	3
04:45	0	0	0	0	0	0	0	0	0	0	0	0	0	0	0
05:00	0	0	2	1	0	0	0	0	2	0	0	0	0	0	5
05:15	0	2	1	1	0	0	0	1	0	0	0	0	0	0	5
05:30	0	0	2	2	0	0	0	1	1	0	0	0	0	0	6
05:45	1	7	1	0	1	2	0	0	1	0	0	0	0	0	13
05:55	0	5	0	0	0	0	0	0	1	0	0	0	0	0	6
06:00	1	14	4	3	1	2	0	2	3	0	0	0	0	0	30
06:15	0	9	2	1	0	0	0	0	2	0	0	0	0	0	14
06:30	0	6	2	0	2	0	0	0	1	0	0	0	0	0	11
06:45	0	12	1	0	1	0	0	0	3	0	0	0	0	0	17
07:00	0	11	3	2	2	0	0	0	3	0	0	0	0	0	21
07:05	0	38	8	3	5	0	0	0	9	0	0	0	0	0	63
07:10	1	11	2	2	0	1	0	0	1	0	0	0	0	0	18
07:15	0	7	3	1	1	0	1	1	2	0	0	0	0	0	16
07:20	1	10	4	0	0	0	0	1	3	0	0	0	0	0	19
07:25	0	13	3	0	4	0	0	0	1	0	0	0	0	0	21
07:30	2	41	12	3	5	1	1	2	7	0	0	0	0	0	74
07:35	0	9	2	2	3	0	0	1	1	0	0	0	0	0	18
07:40	3	12	3	2	2	2	0	0	3	0	0	0	0	0	27
07:45	0	11	3	1	0	0	0	0	1	0	0	0	0	0	16
07:50	2	12	5	0	2	4	1	0	2	0	0	0	0	0	28
07:55	5	44	13	5	7	6	1	1	7	0	0	0	0	0	89
08:00	1	16	5	0	0	1	0	0	2	0	0	0	0	0	25
08:05	0	8	3	0	1	0	0	0	3	0	0	0	0	0	15
08:10	1	6	1	0	2	1	0	0	4	0	0	0	0	0	15
08:15	0	9	3	0	1	1	0	3	3	0	0	0	0	0	20
08:20	2	39	12	0	4	3	0	3	12	0	0	0	0	0	75
08:25	1	9	5	1	1	2	0	0	2	0	0	0	0	0	21
08:30	0	14	2	1	1	0	0	0	2	0	0	0	0	0	20
08:35	0	10	2	1	6	0	0	0	5	1	0	0	0	0	25
08:40	0	10	4	0	1	0	0	0	1	0	0	0	0	0	16
08:45	1	43	13	3	9	2	0	0	10	1	0	0	0	0	82
08:50	1	12	0	0	2	1	0	4	2	0	0	0	0	0	22
08:55	0	12	4	0	2	0	0	0	2	0	0	0	0	0	20
09:00	1	12	3	1	2	0	0	1	1	0	0	0	0	0	21
09:05	0	16	5	1	3	0	0	0	3	0	0	0	0	0	28
09:10	2	52	12	2	9	1	0	5	8	0	0	0	0	0	91
Total	14	277	76	21	40	16	2	13	73	1	0	0	0	0	533
Percent	2.6%	52.0%	14.3%	3.9%	7.5%	3.0%	0.4%	2.4%	13.7%	0.2%	0.0%	0.0%	0.0%	0.0%	

# MCV Associates, Inc.

4605-C Pinecrest Office Park Dr  
Alexandria, VA 22312  
703-914-4850

Site Code: 231  
Station ID: 231  
North High Street WB  
Between Gordon Ave and School access  
Latitude: 0' 0.000 Undefined

West Bound

Start Time	Bikes	Cars & Trailers	2 Axle Long	Buses	2 Axle 6 Tire	3 Axle Single	4 Axle Single	<5 Axl Double	5 Axle Double	>6 Axl Double	<6 Axl Multi	6 Axle Multi	>6 Axl Multi	Not Classe	Total
12 PM	0	0	0	0	0	0	0	0	0	0	0	0	0	0	0
12:15	0	0	0	0	0	0	0	0	0	0	0	0	0	0	0
12:30	0	0	0	0	0	0	0	0	0	0	0	0	0	0	0
12:45	0	0	0	0	0	0	0	0	0	0	0	0	0	0	0
13:00	0	0	0	0	0	0	0	0	0	0	0	0	0	0	0
13:15	0	0	0	0	0	0	0	0	0	0	0	0	0	0	0
13:30	0	0	0	0	0	0	0	0	0	0	0	0	0	0	0
13:45	0	0	0	0	0	0	0	0	0	0	0	0	0	0	0
14:00	0	0	0	0	0	0	0	0	0	0	0	0	0	0	0
14:15	0	0	0	0	0	0	0	0	0	0	0	0	0	0	0
14:30	0	0	0	0	0	0	0	0	0	0	0	0	0	0	0
14:45	0	0	0	0	0	0	0	0	0	0	0	0	0	0	0
15:00	0	0	0	0	0	0	0	0	0	0	0	0	0	0	0
15:15	0	0	0	0	0	0	0	0	0	0	0	0	0	0	0
15:30	0	0	0	0	0	0	0	0	0	0	0	0	0	0	0
15:45	0	0	0	0	0	0	0	0	0	0	0	0	0	0	0
16:00	0	0	0	0	0	0	0	0	0	0	0	0	0	0	0
16:15	0	0	0	0	0	0	0	0	0	0	0	0	0	0	0
16:30	0	0	0	0	0	0	0	0	0	0	0	0	0	0	0
16:45	0	0	0	0	0	0	0	0	0	0	0	0	0	0	0
17:00	0	0	0	0	0	0	0	0	0	0	0	0	0	0	0
17:15	0	0	0	0	0	0	0	0	0	0	0	0	0	0	0
17:30	0	0	0	0	0	0	0	0	0	0	0	0	0	0	0
17:45	0	0	0	0	0	0	0	0	0	0	0	0	0	0	0
18:00	0	0	0	0	0	0	0	0	0	0	0	0	0	0	0
18:15	0	0	0	0	0	0	0	0	0	0	0	0	0	0	0
18:30	0	0	0	0	0	0	0	0	0	0	0	0	0	0	0
18:45	0	0	0	0	0	0	0	0	0	0	0	0	0	0	0
19:00	0	0	0	0	0	0	0	0	0	0	0	0	0	0	0
19:15	0	0	0	0	0	0	0	0	0	0	0	0	0	0	0
19:30	0	0	0	0	0	0	0	0	0	0	0	0	0	0	0
19:45	0	0	0	0	0	0	0	0	0	0	0	0	0	0	0
20:00	0	0	0	0	0	0	0	0	0	0	0	0	0	0	0
20:15	0	0	0	0	0	0	0	0	0	0	0	0	0	0	0
20:30	0	0	0	0	0	0	0	0	0	0	0	0	0	0	0
20:45	0	0	0	0	0	0	0	0	0	0	0	0	0	0	0
21:00	0	0	0	0	0	0	0	0	0	0	0	0	0	0	0
21:15	0	0	0	0	0	0	0	0	0	0	0	0	0	0	0
21:30	0	0	0	0	0	0	0	0	0	0	0	0	0	0	0
21:45	0	0	0	0	0	0	0	0	0	0	0	0	0	0	0
22:00	0	0	0	0	0	0	0	0	0	0	0	0	0	0	0
22:15	0	0	0	0	0	0	0	0	0	0	0	0	0	0	0
22:30	0	0	0	0	0	0	0	0	0	0	0	0	0	0	0
22:45	0	0	0	0	0	0	0	0	0	0	0	0	0	0	0
23:00	0	0	0	0	0	0	0	0	0	0	0	0	0	0	0
23:15	0	0	0	0	0	0	0	0	0	0	0	0	0	0	0
23:30	0	0	0	0	0	0	0	0	0	0	0	0	0	0	0
23:45	0	0	0	0	0	0	0	0	0	0	0	0	0	0	0
Total	0	0	0	0	0	0	0	0	0	0	0	0	0	0	0
Percent	0.0%	0.0%	0.0%	0.0%	0.0%	0.0%	0.0%	0.0%	0.0%	0.0%	0.0%	0.0%	0.0%	0.0%	0.0%
Grand Total	36	807	199	38	68	44	4	28	162	3	0	0	1	0	1390
Percent	2.6%	58.1%	14.3%	2.7%	4.9%	3.2%	0.3%	2.0%	11.7%	0.2%	0.0%	0.0%	0.1%	0.0%	









# MCV Associates, Inc.

4605-C Pinecrest Office Park Dr  
 Alexandria, VA 22312  
 703-914-4850

Site Code: 231  
 Station ID: 231  
 North High Street WB  
 Between Gordon Ave and School Access  
 Latitude: 0' 0.000 Undefined

West Bound

Start Time	15	20	25	30	35	40	45	50	55	60	65	70	75	999	Total
12 PM	0	0	0	0	0	0	0	0	0	0	0	0	0	0	0
12:15	0	0	0	0	0	0	0	0	0	0	0	0	0	0	0
12:30	0	0	0	0	0	0	0	0	0	0	0	0	0	0	0
12:45	0	0	0	0	0	0	0	0	0	0	0	0	0	0	0
13:00	0	0	0	0	0	0	0	0	0	0	0	0	0	0	0
13:15	0	0	0	0	0	0	0	0	0	0	0	0	0	0	0
13:30	0	0	0	0	0	0	0	0	0	0	0	0	0	0	0
13:45	0	0	0	0	0	0	0	0	0	0	0	0	0	0	0
14:00	0	0	0	0	0	0	0	0	0	0	0	0	0	0	0
14:15	0	0	0	0	0	0	0	0	0	0	0	0	0	0	0
14:30	0	0	0	0	0	0	0	0	0	0	0	0	0	0	0
14:45	0	0	0	0	0	0	0	0	0	0	0	0	0	0	0
15:00	0	0	0	0	0	0	0	0	0	0	0	0	0	0	0
15:15	0	0	0	0	0	0	0	0	0	0	0	0	0	0	0
15:30	0	0	0	0	0	0	0	0	0	0	0	0	0	0	0
15:45	0	0	0	0	0	0	0	0	0	0	0	0	0	0	0
16:00	0	0	0	0	0	0	0	0	0	0	0	0	0	0	0
16:15	0	0	0	0	0	0	0	0	0	0	0	0	0	0	0
16:30	0	0	0	0	0	0	0	0	0	0	0	0	0	0	0
16:45	0	0	0	0	0	0	0	0	0	0	0	0	0	0	0
17:00	0	0	0	0	0	0	0	0	0	0	0	0	0	0	0
17:15	0	0	0	0	0	0	0	0	0	0	0	0	0	0	0
17:30	0	0	0	0	0	0	0	0	0	0	0	0	0	0	0
17:45	0	0	0	0	0	0	0	0	0	0	0	0	0	0	0
18:00	0	0	0	0	0	0	0	0	0	0	0	0	0	0	0
18:15	0	0	0	0	0	0	0	0	0	0	0	0	0	0	0
18:30	0	0	0	0	0	0	0	0	0	0	0	0	0	0	0
18:45	0	0	0	0	0	0	0	0	0	0	0	0	0	0	0
19:00	0	0	0	0	0	0	0	0	0	0	0	0	0	0	0
19:15	0	0	0	0	0	0	0	0	0	0	0	0	0	0	0
19:30	0	0	0	0	0	0	0	0	0	0	0	0	0	0	0
19:45	0	0	0	0	0	0	0	0	0	0	0	0	0	0	0
20:00	0	0	0	0	0	0	0	0	0	0	0	0	0	0	0
20:15	0	0	0	0	0	0	0	0	0	0	0	0	0	0	0
20:30	0	0	0	0	0	0	0	0	0	0	0	0	0	0	0
20:45	0	0	0	0	0	0	0	0	0	0	0	0	0	0	0
21:00	0	0	0	0	0	0	0	0	0	0	0	0	0	0	0
21:15	0	0	0	0	0	0	0	0	0	0	0	0	0	0	0
21:30	0	0	0	0	0	0	0	0	0	0	0	0	0	0	0
21:45	0	0	0	0	0	0	0	0	0	0	0	0	0	0	0
22:00	0	0	0	0	0	0	0	0	0	0	0	0	0	0	0
22:15	0	0	0	0	0	0	0	0	0	0	0	0	0	0	0
22:30	0	0	0	0	0	0	0	0	0	0	0	0	0	0	0
22:45	0	0	0	0	0	0	0	0	0	0	0	0	0	0	0
23:00	0	0	0	0	0	0	0	0	0	0	0	0	0	0	0
23:15	0	0	0	0	0	0	0	0	0	0	0	0	0	0	0
23:30	0	0	0	0	0	0	0	0	0	0	0	0	0	0	0
23:45	0	0	0	0	0	0	0	0	0	0	0	0	0	0	0
Total	0	0	0	0	0	0	0	0	0	0	0	0	0	0	0
Grand Total	125	202	581	412	64	6	0	0	0	0	0	0	0	0	1390

15th Percentile : 12 MPH  
 50th Percentile : 22 MPH  
 85th Percentile : 27 MPH

	95th Percentile :	30 MPH
Stats	Mean Speed(Average) :	21 MPH
	10 MPH Pace Speed :	20-29 MPH
	Number in Pace :	805
	Percent in Pace :	57.9%
	Number of Vehicles > 55 MPH :	0
	Percent of Vehicles > 55 MPH :	0.0%





# MCV Associates, Inc.

4605-C Pinecrest Office Park Dr  
Alexandria, VA 22312  
703-914-4850

Site Code: 336  
Station ID: 336  
Martinsburg Ave NB  
S of South High St  
Latitude: 0' 0.000 Undefined

North Bound

Start Time	Bikes	Cars & Trailers	2 Axle Long	Buses	2 Axle 6 Tire	3 Axle Single	4 Axle Single	<5 Axl Double	5 Axle Double	>6 Axl Double	<6 Axl Multi	6 Axle Multi	>6 Axl Multi	Not Classe	Total
01/30/13	2	5	0	0	0	2	0	0	1	0	0	0	0	0	10
00:15	0	3	0	0	0	0	0	0	0	0	0	0	0	0	3
00:30	1	2	0	0	1	1	0	0	0	0	0	0	0	0	5
00:45	0	1	0	0	0	0	0	0	1	0	0	0	0	0	2
	3	11	0	0	1	3	0	0	2	0	0	0	0	0	20
01:00	0	4	0	0	0	0	0	0	0	0	0	0	0	0	4
01:15	1	2	0	0	0	1	0	0	0	0	0	0	0	0	4
01:30	1	0	0	0	0	1	0	0	0	0	0	0	0	0	2
01:45	0	2	2	0	0	0	0	0	1	0	0	0	0	0	5
	2	8	2	0	0	2	0	0	1	0	0	0	0	0	15
02:00	0	0	0	0	0	0	0	0	0	0	0	0	0	0	0
02:15	0	2	0	0	0	0	0	0	1	0	0	0	0	0	3
02:30	1	2	0	1	0	1	0	0	0	0	0	0	0	0	5
02:45	0	3	0	1	0	0	0	0	2	0	0	0	0	0	6
	1	7	0	2	0	1	0	0	3	0	0	0	0	0	14
03:00	0	5	0	0	0	0	0	0	1	0	0	0	0	0	6
03:15	1	3	1	0	0	1	0	0	1	0	0	0	0	0	7
03:30	0	2	0	0	0	0	0	0	0	0	0	0	0	0	2
03:45	1	1	1	0	0	1	0	0	0	0	0	0	0	0	4
	2	11	2	0	0	2	0	0	2	0	0	0	0	0	19
04:00	1	3	0	1	0	1	0	0	0	0	0	0	0	0	6
04:15	0	5	1	0	1	0	0	0	1	0	0	0	0	0	8
04:30	0	6	1	0	3	0	0	0	0	0	0	0	0	0	10
04:45	0	8	2	0	0	0	0	0	0	0	0	0	0	0	10
	1	22	4	1	4	1	0	0	1	0	0	0	0	0	34
05:00	0	11	3	0	0	0	0	1	0	0	0	0	0	0	15
05:15	0	11	9	0	3	0	0	1	1	0	0	0	0	0	25
05:30	1	14	11	0	1	2	0	0	1	0	0	0	0	0	30
05:45	0	16	6	0	1	1	0	0	2	0	0	0	0	0	26
	1	52	29	0	5	3	0	2	4	0	0	0	0	0	96
06:00	0	27	7	1	1	0	0	0	0	0	0	0	0	0	36
06:15	0	34	6	0	3	0	0	0	2	0	0	0	0	0	45
06:30	1	44	16	1	3	2	0	0	0	0	0	0	0	0	67
06:45	0	49	17	3	4	0	0	1	4	0	0	0	0	0	78
	1	154	46	5	11	2	0	1	6	0	0	0	0	0	226
07:00	0	50	14	2	4	0	0	0	3	0	0	0	0	0	73
07:15	0	53	13	1	4	0	0	1	1	0	0	0	1	0	74
07:30	1	65	15	0	1	2	0	0	3	0	0	0	0	0	87
07:45	0	68	12	0	4	0	0	3	1	0	0	0	0	0	88
	1	236	54	3	13	2	0	4	8	0	0	0	1	0	322
08:00	0	57	11	2	5	0	0	1	1	0	0	0	0	0	77
08:15	1	56	17	0	7	2	0	2	3	0	0	0	0	0	88
08:30	0	44	11	0	3	0	0	1	4	0	0	0	0	0	63
08:45	0	37	15	0	2	1	1	0	3	0	0	0	0	0	59
	1	194	54	2	17	3	1	4	11	0	0	0	0	0	287
09:00	1	28	13	1	0	2	0	0	4	0	0	0	0	0	49
09:15	2	27	16	2	4	2	0	0	1	0	0	0	0	0	54
09:30	1	38	9	0	6	2	0	1	3	0	0	0	0	0	60
09:45	0	42	11	0	1	1	0	2	2	0	0	0	0	0	59
	4	135	49	3	11	7	0	3	10	0	0	0	0	0	222
10:00	1	44	13	1	5	2	0	0	3	0	0	0	0	0	69
10:15	1	34	8	0	3	1	0	1	2	0	0	0	0	0	50
10:30	0	34	13	0	7	0	0	0	4	1	0	0	0	0	59
10:45	0	38	13	0	7	0	0	1	1	0	0	0	0	0	60
	2	150	47	1	22	3	0	2	10	1	0	0	0	0	238
11:00	0	42	15	0	6	0	0	4	4	0	0	0	1	0	72
11:15	1	40	16	0	4	0	0	4	0	0	0	0	0	0	65
11:30	1	50	7	1	2	1	0	0	1	0	0	0	0	0	63
11:45	0	37	7	1	3	0	0	0	0	0	0	0	0	0	48
	2	169	45	2	15	1	0	8	5	0	0	0	1	0	248
<b>Total</b>	<b>21</b>	<b>1149</b>	<b>332</b>	<b>19</b>	<b>99</b>	<b>30</b>	<b>1</b>	<b>24</b>	<b>63</b>	<b>1</b>	<b>0</b>	<b>0</b>	<b>2</b>	<b>0</b>	<b>1741</b>
<b>Percent</b>	<b>1.2%</b>	<b>66.0%</b>	<b>19.1%</b>	<b>1.1%</b>	<b>5.7%</b>	<b>1.7%</b>	<b>0.1%</b>	<b>1.4%</b>	<b>3.6%</b>	<b>0.1%</b>	<b>0.0%</b>	<b>0.0%</b>	<b>0.1%</b>	<b>0.0%</b>	

# MCV Associates, Inc.

4605-C Pinecrest Office Park Dr  
Alexandria, VA 22312  
703-914-4850

Site Code: 336  
Station ID: 336  
Martinsburg Ave NB  
S of South High St  
Latitude: 0' 0.000 Undefined

North Bound

Start Time	Bikes	Cars & Trailers	2 Axle Long	Buses	2 Axle 6 Tire	3 Axle Single	4 Axle Single	<5 Axl Double	5 Axle Double	>6 Axl Double	<6 Axl Multi	6 Axle Multi	>6 Axl Multi	Not Classe	Total
12 PM	0	0	0	0	0	0	0	0	0	0	0	0	0	0	0
12:15	0	0	0	0	0	0	0	0	0	0	0	0	0	0	0
12:30	0	0	0	0	0	0	0	0	0	0	0	0	0	0	0
12:45	0	0	0	0	0	0	0	0	0	0	0	0	0	0	0
13:00	0	0	0	0	0	0	0	0	0	0	0	0	0	0	0
13:15	0	0	0	0	0	0	0	0	0	0	0	0	0	0	0
13:30	0	0	0	0	0	0	0	0	0	0	0	0	0	0	0
13:45	0	0	0	0	0	0	0	0	0	0	0	0	0	0	0
14:00	0	0	0	0	0	0	0	0	0	0	0	0	0	0	0
14:15	0	0	0	0	0	0	0	0	0	0	0	0	0	0	0
14:30	0	0	0	0	0	0	0	0	0	0	0	0	0	0	0
14:45	0	0	0	0	0	0	0	0	0	0	0	0	0	0	0
15:00	0	0	0	0	0	0	0	0	0	0	0	0	0	0	0
15:15	0	0	0	0	0	0	0	0	0	0	0	0	0	0	0
15:30	0	0	0	0	0	0	0	0	0	0	0	0	0	0	0
15:45	0	0	0	0	0	0	0	0	0	0	0	0	0	0	0
16:00	0	0	0	0	0	0	0	0	0	0	0	0	0	0	0
16:15	0	0	0	0	0	0	0	0	0	0	0	0	0	0	0
16:30	0	0	0	0	0	0	0	0	0	0	0	0	0	0	0
16:45	0	0	0	0	0	0	0	0	0	0	0	0	0	0	0
17:00	0	0	0	0	0	0	0	0	0	0	0	0	0	0	0
17:15	0	0	0	0	0	0	0	0	0	0	0	0	0	0	0
17:30	0	0	0	0	0	0	0	0	0	0	0	0	0	0	0
17:45	0	0	0	0	0	0	0	0	0	0	0	0	0	0	0
18:00	0	0	0	0	0	0	0	0	0	0	0	0	0	0	0
18:15	0	0	0	0	0	0	0	0	0	0	0	0	0	0	0
18:30	0	0	0	0	0	0	0	0	0	0	0	0	0	0	0
18:45	0	0	0	0	0	0	0	0	0	0	0	0	0	0	0
19:00	0	0	0	0	0	0	0	0	0	0	0	0	0	0	0
19:15	0	0	0	0	0	0	0	0	0	0	0	0	0	0	0
19:30	0	0	0	0	0	0	0	0	0	0	0	0	0	0	0
19:45	0	0	0	0	0	0	0	0	0	0	0	0	0	0	0
20:00	0	0	0	0	0	0	0	0	0	0	0	0	0	0	0
20:15	0	0	0	0	0	0	0	0	0	0	0	0	0	0	0
20:30	0	0	0	0	0	0	0	0	0	0	0	0	0	0	0
20:45	0	0	0	0	0	0	0	0	0	0	0	0	0	0	0
21:00	0	0	0	0	0	0	0	0	0	0	0	0	0	0	0
21:15	0	0	0	0	0	0	0	0	0	0	0	0	0	0	0
21:30	0	0	0	0	0	0	0	0	0	0	0	0	0	0	0
21:45	0	0	0	0	0	0	0	0	0	0	0	0	0	0	0
22:00	0	0	0	0	0	0	0	0	0	0	0	0	0	0	0
22:15	0	0	0	0	0	0	0	0	0	0	0	0	0	0	0
22:30	0	0	0	0	0	0	0	0	0	0	0	0	0	0	0
22:45	0	0	0	0	0	0	0	0	0	0	0	0	0	0	0
23:00	0	0	0	0	0	0	0	0	0	0	0	0	0	0	0
23:15	0	0	0	0	0	0	0	0	0	0	0	0	0	0	0
23:30	0	0	0	0	0	0	0	0	0	0	0	0	0	0	0
23:45	0	0	0	0	0	0	0	0	0	0	0	0	0	0	0
Total	0	0	0	0	0	0	0	0	0	0	0	0	0	0	0
Percent	0.0%	0.0%	0.0%	0.0%	0.0%	0.0%	0.0%	0.0%	0.0%	0.0%	0.0%	0.0%	0.0%	0.0%	0.0%
Grand Total	50	2758	685	40	214	78	2	56	137	2	0	0	3	0	4025
Percent	1.2%	68.5%	17.0%	1.0%	5.3%	1.9%	0.0%	1.4%	3.4%	0.0%	0.0%	0.0%	0.1%	0.0%	









# MCV Associates, Inc.

4605-C Pinecrest Office Park Dr  
Alexandria, VA 22312  
703-914-4850

Site Code: 336  
Station ID: 336  
Martinsburg Ave NB  
S of South High Street  
Latitude: 0' 0.000 Undefined

North Bound

Start Time	1 15	16 20	21 25	26 30	31 35	36 40	41 45	46 50	51 55	56 60	61 65	66 70	71 75	76 999	Total
12 PM	0	0	0	0	0	0	0	0	0	0	0	0	0	0	0
12:15	0	0	0	0	0	0	0	0	0	0	0	0	0	0	0
12:30	0	0	0	0	0	0	0	0	0	0	0	0	0	0	0
12:45	0	0	0	0	0	0	0	0	0	0	0	0	0	0	0
13:00	0	0	0	0	0	0	0	0	0	0	0	0	0	0	0
13:15	0	0	0	0	0	0	0	0	0	0	0	0	0	0	0
13:30	0	0	0	0	0	0	0	0	0	0	0	0	0	0	0
13:45	0	0	0	0	0	0	0	0	0	0	0	0	0	0	0
14:00	0	0	0	0	0	0	0	0	0	0	0	0	0	0	0
14:15	0	0	0	0	0	0	0	0	0	0	0	0	0	0	0
14:30	0	0	0	0	0	0	0	0	0	0	0	0	0	0	0
14:45	0	0	0	0	0	0	0	0	0	0	0	0	0	0	0
15:00	0	0	0	0	0	0	0	0	0	0	0	0	0	0	0
15:15	0	0	0	0	0	0	0	0	0	0	0	0	0	0	0
15:30	0	0	0	0	0	0	0	0	0	0	0	0	0	0	0
15:45	0	0	0	0	0	0	0	0	0	0	0	0	0	0	0
16:00	0	0	0	0	0	0	0	0	0	0	0	0	0	0	0
16:15	0	0	0	0	0	0	0	0	0	0	0	0	0	0	0
16:30	0	0	0	0	0	0	0	0	0	0	0	0	0	0	0
16:45	0	0	0	0	0	0	0	0	0	0	0	0	0	0	0
17:00	0	0	0	0	0	0	0	0	0	0	0	0	0	0	0
17:15	0	0	0	0	0	0	0	0	0	0	0	0	0	0	0
17:30	0	0	0	0	0	0	0	0	0	0	0	0	0	0	0
17:45	0	0	0	0	0	0	0	0	0	0	0	0	0	0	0
18:00	0	0	0	0	0	0	0	0	0	0	0	0	0	0	0
18:15	0	0	0	0	0	0	0	0	0	0	0	0	0	0	0
18:30	0	0	0	0	0	0	0	0	0	0	0	0	0	0	0
18:45	0	0	0	0	0	0	0	0	0	0	0	0	0	0	0
19:00	0	0	0	0	0	0	0	0	0	0	0	0	0	0	0
19:15	0	0	0	0	0	0	0	0	0	0	0	0	0	0	0
19:30	0	0	0	0	0	0	0	0	0	0	0	0	0	0	0
19:45	0	0	0	0	0	0	0	0	0	0	0	0	0	0	0
20:00	0	0	0	0	0	0	0	0	0	0	0	0	0	0	0
20:15	0	0	0	0	0	0	0	0	0	0	0	0	0	0	0
20:30	0	0	0	0	0	0	0	0	0	0	0	0	0	0	0
20:45	0	0	0	0	0	0	0	0	0	0	0	0	0	0	0
21:00	0	0	0	0	0	0	0	0	0	0	0	0	0	0	0
21:15	0	0	0	0	0	0	0	0	0	0	0	0	0	0	0
21:30	0	0	0	0	0	0	0	0	0	0	0	0	0	0	0
21:45	0	0	0	0	0	0	0	0	0	0	0	0	0	0	0
22:00	0	0	0	0	0	0	0	0	0	0	0	0	0	0	0
22:15	0	0	0	0	0	0	0	0	0	0	0	0	0	0	0
22:30	0	0	0	0	0	0	0	0	0	0	0	0	0	0	0
22:45	0	0	0	0	0	0	0	0	0	0	0	0	0	0	0
23:00	0	0	0	0	0	0	0	0	0	0	0	0	0	0	0
23:15	0	0	0	0	0	0	0	0	0	0	0	0	0	0	0
23:30	0	0	0	0	0	0	0	0	0	0	0	0	0	0	0
23:45	0	0	0	0	0	0	0	0	0	0	0	0	0	0	0
Total	0	0	0	0	0	0	0	0	0	0	0	0	0	0	0
Grand Total	335	499	1415	1552	208	14	2	0	0	0	0	0	0	0	4025

15th Percentile : 12 MPH  
50th Percentile : 23 MPH  
85th Percentile : 28 MPH

	95th Percentile :	31 MPH
Stats	Mean Speed(Average) :	22 MPH
	10 MPH Pace Speed :	21-30 MPH
	Number in Pace :	2389
	Percent in Pace :	59.4%
	Number of Vehicles > 55 MPH :	0
	Percent of Vehicles > 55 MPH :	0.0%



# MCV Associates, Inc.

4605-C Pinecrest Office Park Dr  
Alexandria, VA 22312  
703-914-4850

Site Code: 336  
Station ID: 336  
Martinsburg Ave SB  
S of South High St

Latitude: 0' 0.000 Undefined

South Bound

Start Time	Bikes	Cars & Trailers	2 Axle Long	Buses	2 Axle 6 Tire	3 Axle Single	4 Axle Single	<5 Axl Double	5 Axle Double	>6 Axl Double	<6 Axl Multi	6 Axle Multi	>6 Axl Multi	Not Classe	Total
12 PM	0	35	16	3	3	0	1	0	2	0	0	0	0	0	60
12:15	0	42	16	1	9	0	0	0	3	0	0	0	0	0	71
12:30	1	47	12	0	7	2	0	2	2	0	0	0	1	0	74
12:45	0	48	11	0	4	0	0	0	2	0	0	0	0	0	65
	1	172	55	4	23	2	1	2	9	0	0	0	1	0	270
13:00	1	29	16	0	10	1	0	0	3	0	0	0	0	0	60
13:15	1	45	11	3	4	3	1	0	2	0	0	0	0	0	70
13:30	1	32	13	0	4	0	0	2	1	0	0	0	1	0	54
13:45	0	33	13	0	4	1	1	0	1	0	0	0	0	0	53
	3	139	53	3	22	5	2	2	7	0	0	0	1	0	237
14:00	0	45	14	0	6	0	0	2	3	0	0	0	0	0	70
14:15	1	53	11	2	4	0	0	2	4	0	0	0	0	0	77
14:30	0	31	10	2	4	1	0	1	2	0	0	0	1	0	52
14:45	0	60	12	0	3	1	1	0	3	0	0	0	0	0	80
	1	189	47	4	17	2	1	5	12	0	0	0	1	0	279
15:00	1	31	21	4	9	0	0	0	2	0	0	0	0	0	68
15:15	0	48	12	1	4	1	0	3	3	0	0	0	0	0	72
15:30	1	56	14	1	3	1	0	1	2	0	0	0	0	0	79
15:45	0	36	21	1	7	3	0	3	1	0	0	0	0	0	72
	2	171	68	7	23	5	0	7	8	0	0	0	0	0	291
16:00	1	56	21	2	6	1	0	1	1	1	0	0	0	0	90
16:15	0	73	10	1	4	0	0	3	2	0	0	0	1	0	94
16:30	1	60	15	0	3	0	0	2	0	1	0	0	0	0	82
16:45	0	77	18	0	5	1	0	0	0	0	0	0	0	0	101
	2	266	64	3	18	2	0	6	3	2	0	0	1	0	367
17:00	0	63	25	0	9	2	0	0	2	1	0	0	0	0	102
17:15	0	82	25	0	6	0	0	1	1	0	0	0	0	0	115
17:30	0	48	26	1	10	0	0	0	3	0	0	0	0	0	88
17:45	1	36	15	1	3	1	0	1	1	0	0	0	0	0	59
	1	229	91	2	28	3	0	2	7	1	0	0	0	0	364
18:00	1	44	18	0	5	0	0	1	0	0	0	0	0	0	69
18:15	1	47	14	0	4	0	0	0	1	0	0	0	0	0	67
18:30	1	39	11	0	4	0	0	0	1	0	0	0	0	0	56
18:45	0	35	8	0	4	0	0	1	0	0	0	0	0	0	48
	3	165	51	0	17	0	0	2	2	0	0	0	0	0	240
19:00	0	28	15	0	2	0	0	1	0	0	0	0	0	0	46
19:15	0	44	8	0	2	0	0	0	1	0	0	0	0	0	55
19:30	1	24	7	0	0	0	0	0	0	0	0	0	0	0	32
19:45	1	26	7	0	4	2	0	0	3	0	0	0	0	0	43
	2	122	37	0	8	2	0	1	4	0	0	0	0	0	176
20:00	0	26	12	1	0	2	0	0	1	1	0	0	0	0	43
20:15	1	14	6	1	1	0	0	0	0	0	0	0	0	0	23
20:30	2	18	4	0	1	1	0	0	0	0	0	0	0	0	26
20:45	1	9	5	0	1	0	0	0	0	0	0	0	0	0	16
	4	67	27	2	3	3	0	0	1	1	0	0	0	0	108
21:00	1	26	4	1	1	0	0	0	1	0	0	0	0	0	34
21:15	1	15	4	0	0	0	0	0	1	0	0	0	0	0	21
21:30	1	7	2	0	0	0	0	0	2	0	0	0	1	0	13
21:45	0	15	4	0	0	0	0	0	1	1	0	0	0	0	21
	3	63	14	1	1	0	0	0	5	1	0	0	1	0	89
22:00	0	9	3	0	0	0	0	0	1	0	0	0	0	0	13
22:15	0	13	2	0	0	1	0	0	1	0	0	0	0	0	17
22:30	0	5	1	1	1	0	0	0	2	0	0	0	0	0	10
22:45	0	6	5	0	0	0	0	0	0	0	0	0	0	0	11
	0	33	11	1	1	1	0	0	4	0	0	0	0	0	51
23:00	0	3	1	0	0	0	0	0	0	0	0	1	0	0	5
23:15	0	3	1	1	0	0	0	0	1	0	0	0	0	0	6
23:30	0	11	1	1	0	3	0	0	2	0	0	0	0	0	18
23:45	0	4	1	0	2	1	0	0	1	0	0	0	0	0	9
	0	21	4	2	2	4	0	0	4	0	0	1	0	0	38
<b>Total</b>	<b>22</b>	<b>1637</b>	<b>522</b>	<b>29</b>	<b>163</b>	<b>29</b>	<b>4</b>	<b>27</b>	<b>66</b>	<b>5</b>	<b>0</b>	<b>1</b>	<b>5</b>	<b>0</b>	<b>2510</b>
<b>Percent</b>	<b>0.9%</b>	<b>65.2%</b>	<b>20.8%</b>	<b>1.2%</b>	<b>6.5%</b>	<b>1.2%</b>	<b>0.2%</b>	<b>1.1%</b>	<b>2.6%</b>	<b>0.2%</b>	<b>0.0%</b>	<b>0.0%</b>	<b>0.2%</b>	<b>0.0%</b>	

# MCV Associates, Inc.

4605-C Pinecrest Office Park Dr  
Alexandria, VA 22312  
703-914-4850

Site Code: 336  
Station ID: 336  
Martinsburg Ave SB  
S of South High St  
Latitude: 0' 0.000 Undefined

South Bound

Start Time	Bikes	Cars & Trailers	2 Axle Long	Buses	2 Axle 6 Tire	3 Axle Single	4 Axle Single	<5 Axl Double	5 Axle Double	>6 Axl Double	<6 Axl Multi	6 Axle Multi	>6 Axl Multi	Not Classe	Total
01/30/13	0	3	1	0	0	1	0	0	1	0	0	0	0	0	6
00:15	0	3	1	0	1	0	0	0	1	0	0	0	0	0	6
00:30	0	3	0	0	1	0	0	0	2	0	0	0	0	0	6
00:45	0	0	0	0	0	1	0	0	1	0	0	0	0	0	2
01:00	0	9	2	0	2	2	0	0	5	0	0	0	0	0	20
01:15	0	2	0	0	1	0	0	0	2	0	0	0	0	0	5
01:30	0	1	1	0	0	0	0	1	1	0	0	0	0	0	4
01:45	0	1	1	0	1	0	0	0	1	0	0	0	0	0	4
02:00	0	6	0	0	0	0	0	0	1	0	0	0	0	0	7
02:15	0	10	2	0	2	0	0	1	5	0	0	0	0	0	20
02:30	0	0	1	0	1	0	0	0	0	0	0	0	0	0	2
02:45	0	1	1	0	0	0	0	0	0	0	0	0	0	0	2
03:00	0	2	1	0	0	0	0	0	1	0	0	0	0	0	4
03:15	0	4	0	0	0	0	0	0	0	0	0	0	0	0	4
03:30	0	7	3	0	1	0	0	0	1	0	0	0	0	0	12
03:45	0	10	1	0	1	0	0	0	1	0	0	0	0	0	13
04:00	0	6	1	0	0	0	0	0	1	0	0	0	0	0	8
04:15	0	8	1	0	0	0	1	0	1	0	0	0	0	0	11
04:30	1	4	1	0	0	1	0	0	2	0	0	0	0	0	9
04:45	1	28	4	0	1	1	1	0	5	0	0	0	0	0	41
05:00	1	5	2	0	0	2	0	0	1	0	0	0	0	0	11
05:15	0	7	4	0	2	0	0	0	2	0	0	0	0	0	15
05:30	0	14	3	0	2	1	0	0	2	0	0	0	0	0	22
05:45	0	15	3	0	0	2	0	0	1	0	0	0	0	0	21
06:00	1	41	12	0	4	5	0	0	6	0	0	0	0	0	69
06:15	0	20	6	1	1	1	0	1	0	0	0	0	0	0	30
06:30	0	11	4	0	0	0	0	0	0	0	0	0	0	0	15
06:45	0	12	6	0	2	1	0	0	3	1	0	0	1	0	26
07:00	0	14	6	0	2	3	0	1	2	0	0	0	0	0	28
07:15	0	57	22	1	5	5	0	2	5	1	0	0	1	0	99
07:30	0	16	9	0	2	1	0	0	1	0	0	0	0	0	29
07:45	1	26	7	0	1	1	0	0	2	0	0	0	0	0	38
08:00	1	35	8	1	5	1	0	1	1	0	0	0	0	0	53
08:15	1	31	11	2	3	1	0	0	0	0	0	0	0	0	49
08:30	3	108	35	3	11	4	0	1	4	0	0	0	0	0	169
08:45	1	35	11	1	3	0	0	2	0	0	0	0	0	0	53
09:00	1	49	14	1	3	2	0	1	3	1	0	0	0	0	75
09:15	1	48	8	0	3	1	0	1	1	1	0	0	0	0	64
09:30	0	38	12	0	4	1	0	0	2	0	0	0	0	0	57
09:45	3	170	45	2	13	4	0	4	6	2	0	0	0	0	249
10:00	0	35	18	1	6	0	0	0	3	1	0	0	0	0	64
10:15	0	24	11	1	3	1	0	2	3	0	0	0	0	0	45
10:30	0	39	8	1	5	3	0	0	1	0	0	0	0	0	57
10:45	1	32	8	1	8	0	0	2	2	1	0	0	0	0	55
11:00	1	130	45	4	22	4	0	4	9	2	0	0	0	0	221
11:15	2	8	11	1	5	1	0	0	2	0	0	0	1	0	31
11:30	1	16	16	0	5	2	2	1	1	0	0	0	0	0	44
11:45	1	20	9	0	6	1	0	0	4	0	0	0	0	0	41
12:00	0	22	11	1	4	0	0	2	2	0	0	0	0	0	42
12:15	4	66	47	2	20	4	2	3	9	0	0	0	1	0	158
12:30	1	33	15	1	4	3	0	0	1	0	0	0	0	0	58
12:45	0	30	12	0	1	1	0	1	0	2	0	0	0	0	47
13:00	1	27	11	2	6	1	1	0	6	1	0	0	0	0	56
13:15	1	15	15	0	1	2	0	0	4	0	0	0	0	0	38
13:30	3	105	53	3	12	7	1	1	11	3	0	0	0	0	199
13:45	0	18	10	0	2	2	1	2	2	1	0	0	0	0	38
14:00	0	33	18	1	3	5	0	1	5	0	0	0	0	0	66
14:15	0	44	10	1	8	4	0	0	5	0	0	0	0	0	72
14:30	0	30	6	1	2	0	1	0	4	0	0	0	0	0	44
14:45	0	125	44	3	15	11	2	3	16	1	0	0	0	0	220
<b>Total</b>	<b>16</b>	<b>856</b>	<b>314</b>	<b>18</b>	<b>108</b>	<b>47</b>	<b>6</b>	<b>19</b>	<b>82</b>	<b>9</b>	<b>0</b>	<b>0</b>	<b>2</b>	<b>0</b>	<b>1477</b>
<b>Percent</b>	<b>1.1%</b>	<b>58.0%</b>	<b>21.3%</b>	<b>1.2%</b>	<b>7.3%</b>	<b>3.2%</b>	<b>0.4%</b>	<b>1.3%</b>	<b>5.6%</b>	<b>0.6%</b>	<b>0.0%</b>	<b>0.0%</b>	<b>0.1%</b>	<b>0.0%</b>	

# MCV Associates, Inc.

4605-C Pinecrest Office Park Dr  
Alexandria, VA 22312  
703-914-4850

Site Code: 336  
Station ID: 336  
Martinsburg Ave SB  
S of South High St  
Latitude: 0' 0.000 Undefined

South Bound

Start Time	Bikes	Cars & Trailers	2 Axle Long	Buses	2 Axle 6 Tire	3 Axle Single	4 Axle Single	<5 Axl Double	5 Axle Double	>6 Axl Double	<6 Axl Multi	6 Axle Multi	>6 Axl Multi	Not Classe	Total
12 PM	0	0	0	0	0	0	0	0	0	0	0	0	0	0	0
12:15	0	0	0	0	0	0	0	0	0	0	0	0	0	0	0
12:30	0	0	0	0	0	0	0	0	0	0	0	0	0	0	0
12:45	0	0	0	0	0	0	0	0	0	0	0	0	0	0	0
13:00	0	0	0	0	0	0	0	0	0	0	0	0	0	0	0
13:15	0	0	0	0	0	0	0	0	0	0	0	0	0	0	0
13:30	0	0	0	0	0	0	0	0	0	0	0	0	0	0	0
13:45	0	0	0	0	0	0	0	0	0	0	0	0	0	0	0
14:00	0	0	0	0	0	0	0	0	0	0	0	0	0	0	0
14:15	0	0	0	0	0	0	0	0	0	0	0	0	0	0	0
14:30	0	0	0	0	0	0	0	0	0	0	0	0	0	0	0
14:45	0	0	0	0	0	0	0	0	0	0	0	0	0	0	0
15:00	0	0	0	0	0	0	0	0	0	0	0	0	0	0	0
15:15	0	0	0	0	0	0	0	0	0	0	0	0	0	0	0
15:30	0	0	0	0	0	0	0	0	0	0	0	0	0	0	0
15:45	0	0	0	0	0	0	0	0	0	0	0	0	0	0	0
16:00	0	0	0	0	0	0	0	0	0	0	0	0	0	0	0
16:15	0	0	0	0	0	0	0	0	0	0	0	0	0	0	0
16:30	0	0	0	0	0	0	0	0	0	0	0	0	0	0	0
16:45	0	0	0	0	0	0	0	0	0	0	0	0	0	0	0
17:00	0	0	0	0	0	0	0	0	0	0	0	0	0	0	0
17:15	0	0	0	0	0	0	0	0	0	0	0	0	0	0	0
17:30	0	0	0	0	0	0	0	0	0	0	0	0	0	0	0
17:45	0	0	0	0	0	0	0	0	0	0	0	0	0	0	0
18:00	0	0	0	0	0	0	0	0	0	0	0	0	0	0	0
18:15	0	0	0	0	0	0	0	0	0	0	0	0	0	0	0
18:30	0	0	0	0	0	0	0	0	0	0	0	0	0	0	0
18:45	0	0	0	0	0	0	0	0	0	0	0	0	0	0	0
19:00	0	0	0	0	0	0	0	0	0	0	0	0	0	0	0
19:15	0	0	0	0	0	0	0	0	0	0	0	0	0	0	0
19:30	0	0	0	0	0	0	0	0	0	0	0	0	0	0	0
19:45	0	0	0	0	0	0	0	0	0	0	0	0	0	0	0
20:00	0	0	0	0	0	0	0	0	0	0	0	0	0	0	0
20:15	0	0	0	0	0	0	0	0	0	0	0	0	0	0	0
20:30	0	0	0	0	0	0	0	0	0	0	0	0	0	0	0
20:45	0	0	0	0	0	0	0	0	0	0	0	0	0	0	0
21:00	0	0	0	0	0	0	0	0	0	0	0	0	0	0	0
21:15	0	0	0	0	0	0	0	0	0	0	0	0	0	0	0
21:30	0	0	0	0	0	0	0	0	0	0	0	0	0	0	0
21:45	0	0	0	0	0	0	0	0	0	0	0	0	0	0	0
22:00	0	0	0	0	0	0	0	0	0	0	0	0	0	0	0
22:15	0	0	0	0	0	0	0	0	0	0	0	0	0	0	0
22:30	0	0	0	0	0	0	0	0	0	0	0	0	0	0	0
22:45	0	0	0	0	0	0	0	0	0	0	0	0	0	0	0
23:00	0	0	0	0	0	0	0	0	0	0	0	0	0	0	0
23:15	0	0	0	0	0	0	0	0	0	0	0	0	0	0	0
23:30	0	0	0	0	0	0	0	0	0	0	0	0	0	0	0
23:45	0	0	0	0	0	0	0	0	0	0	0	0	0	0	0
Total	0	0	0	0	0	0	0	0	0	0	0	0	0	0	0
Percent	0.0%	0.0%	0.0%	0.0%	0.0%	0.0%	0.0%	0.0%	0.0%	0.0%	0.0%	0.0%	0.0%	0.0%	0.0%
Grand Total	38	2493	836	47	271	76	10	46	148	14	0	1	7	0	3987
Percent	1.0%	62.5%	21.0%	1.2%	6.8%	1.9%	0.3%	1.2%	3.7%	0.4%	0.0%	0.0%	0.2%	0.0%	









# MCV Associates, Inc.

4605-C Pinecrest Office Park Dr  
Alexandria, VA 22312  
703-914-4850

Site Code: 336  
Station ID: 336  
Martinsburg Ave SB  
S of South High Street  
Latitude: 0' 0.000 Undefined

## South Bound

Start Time	1 15	16 20	21 25	26 30	31 35	36 40	41 45	46 50	51 55	56 60	61 65	66 70	71 75	76 999	Total
12 PM	0	0	0	0	0	0	0	0	0	0	0	0	0	0	0
12:15	0	0	0	0	0	0	0	0	0	0	0	0	0	0	0
12:30	0	0	0	0	0	0	0	0	0	0	0	0	0	0	0
12:45	0	0	0	0	0	0	0	0	0	0	0	0	0	0	0
13:00	0	0	0	0	0	0	0	0	0	0	0	0	0	0	0
13:15	0	0	0	0	0	0	0	0	0	0	0	0	0	0	0
13:30	0	0	0	0	0	0	0	0	0	0	0	0	0	0	0
13:45	0	0	0	0	0	0	0	0	0	0	0	0	0	0	0
14:00	0	0	0	0	0	0	0	0	0	0	0	0	0	0	0
14:15	0	0	0	0	0	0	0	0	0	0	0	0	0	0	0
14:30	0	0	0	0	0	0	0	0	0	0	0	0	0	0	0
14:45	0	0	0	0	0	0	0	0	0	0	0	0	0	0	0
15:00	0	0	0	0	0	0	0	0	0	0	0	0	0	0	0
15:15	0	0	0	0	0	0	0	0	0	0	0	0	0	0	0
15:30	0	0	0	0	0	0	0	0	0	0	0	0	0	0	0
15:45	0	0	0	0	0	0	0	0	0	0	0	0	0	0	0
16:00	0	0	0	0	0	0	0	0	0	0	0	0	0	0	0
16:15	0	0	0	0	0	0	0	0	0	0	0	0	0	0	0
16:30	0	0	0	0	0	0	0	0	0	0	0	0	0	0	0
16:45	0	0	0	0	0	0	0	0	0	0	0	0	0	0	0
17:00	0	0	0	0	0	0	0	0	0	0	0	0	0	0	0
17:15	0	0	0	0	0	0	0	0	0	0	0	0	0	0	0
17:30	0	0	0	0	0	0	0	0	0	0	0	0	0	0	0
17:45	0	0	0	0	0	0	0	0	0	0	0	0	0	0	0
18:00	0	0	0	0	0	0	0	0	0	0	0	0	0	0	0
18:15	0	0	0	0	0	0	0	0	0	0	0	0	0	0	0
18:30	0	0	0	0	0	0	0	0	0	0	0	0	0	0	0
18:45	0	0	0	0	0	0	0	0	0	0	0	0	0	0	0
19:00	0	0	0	0	0	0	0	0	0	0	0	0	0	0	0
19:15	0	0	0	0	0	0	0	0	0	0	0	0	0	0	0
19:30	0	0	0	0	0	0	0	0	0	0	0	0	0	0	0
19:45	0	0	0	0	0	0	0	0	0	0	0	0	0	0	0
20:00	0	0	0	0	0	0	0	0	0	0	0	0	0	0	0
20:15	0	0	0	0	0	0	0	0	0	0	0	0	0	0	0
20:30	0	0	0	0	0	0	0	0	0	0	0	0	0	0	0
20:45	0	0	0	0	0	0	0	0	0	0	0	0	0	0	0
21:00	0	0	0	0	0	0	0	0	0	0	0	0	0	0	0
21:15	0	0	0	0	0	0	0	0	0	0	0	0	0	0	0
21:30	0	0	0	0	0	0	0	0	0	0	0	0	0	0	0
21:45	0	0	0	0	0	0	0	0	0	0	0	0	0	0	0
22:00	0	0	0	0	0	0	0	0	0	0	0	0	0	0	0
22:15	0	0	0	0	0	0	0	0	0	0	0	0	0	0	0
22:30	0	0	0	0	0	0	0	0	0	0	0	0	0	0	0
22:45	0	0	0	0	0	0	0	0	0	0	0	0	0	0	0
23:00	0	0	0	0	0	0	0	0	0	0	0	0	0	0	0
23:15	0	0	0	0	0	0	0	0	0	0	0	0	0	0	0
23:30	0	0	0	0	0	0	0	0	0	0	0	0	0	0	0
23:45	0	0	0	0	0	0	0	0	0	0	0	0	0	0	0
Total	0	0	0	0	0	0	0	0	0	0	0	0	0	0	0
Grand Total	833	418	945	1364	395	30	2	0	0	0	0	0	0	0	3987

15th Percentile : 7 MPH  
50th Percentile : 21 MPH  
85th Percentile : 29 MPH

	95th Percentile :	32 MPH
Stats	Mean Speed(Average) :	20 MPH
	10 MPH Pace Speed :	22-31 MPH
	Number in Pace :	1754
	Percent in Pace :	44.0%
	Number of Vehicles > 55 MPH :	0
	Percent of Vehicles > 55 MPH :	0.0%